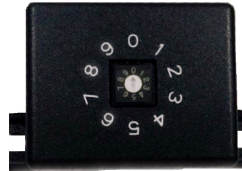


| | |
|------------|--|
| Project: | |
| Type: | |
| Catalog #: | |

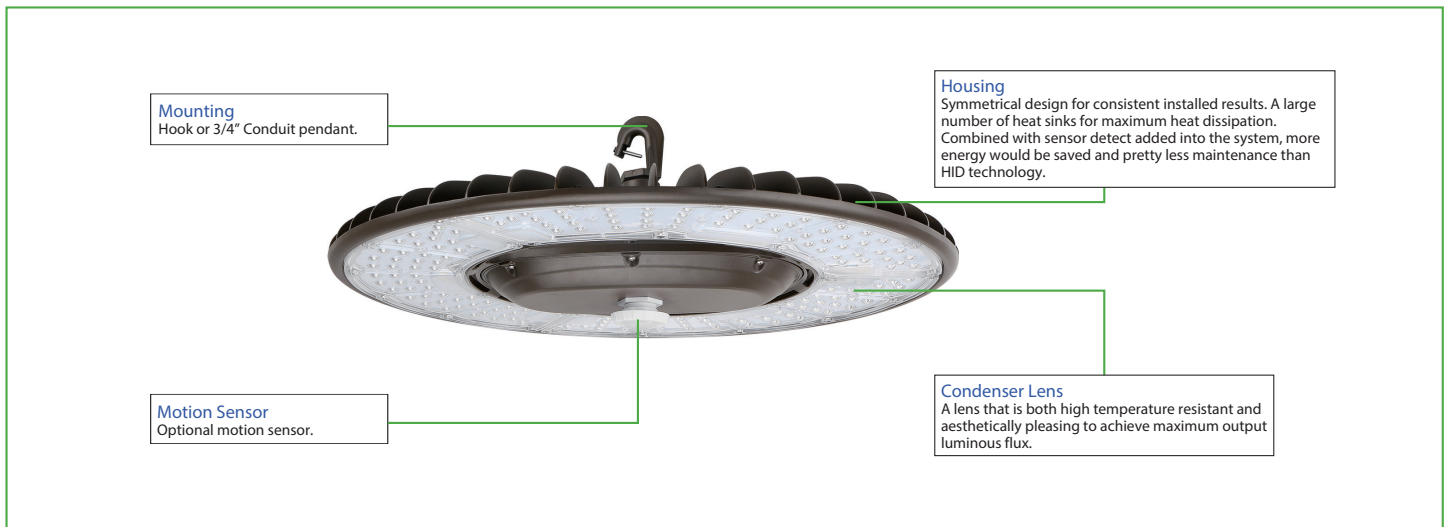


FEATURES

- Optional dial adjustment to raise or lower lumen output: 32,000-55,000 lumens, 160Lm/W - replaces 400-1,000W HID
- Bottom access to the drive compartment
- Hook or conduit pendant for mounting
- Optional motion sensor
- Optional adjustment dial allows a reduction of wattage
- Operating temperature for 200W and 300W is -40°C to 65°C (149°F). Operating temperature for 250W-340W is -40°C to 55°C (131°F).
- Shock and vibration resistant
- UL/cUL wet location and DLC qualified



WARRANTY 10-year warranty.

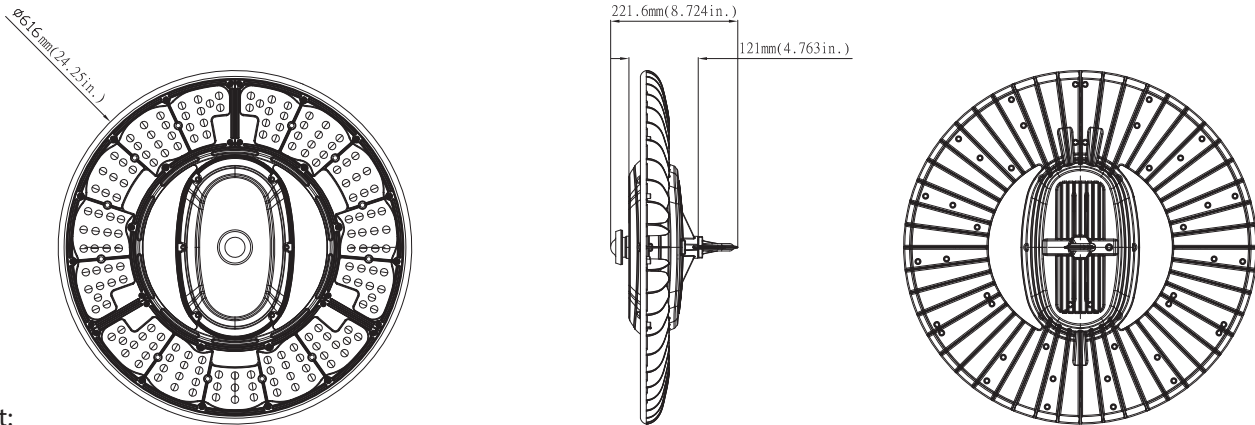


PERFORMANCE DATA

| SYSTEM WATTS | VOLTAGE | 4000K(70CRI) | | 5000K(70CRI) | | Temperature |
|--------------|---------------------|--------------|---------|--------------|---------|---------------|
| | | LUMENS | LPW | LUMENS | LPW | |
| 200W | 120-277VAC | 32300lm | 162lm/W | 32800lm | 164lm/W | -40°C to 65°C |
| 200W | 347-480VAC | 32500lm | 163lm/W | 33000lm | 165lm/W | -40°C to 65°C |
| 250W | 120-277VAC | 40000lm | 160lm/W | 40100lm | 160lm/W | -40°C to 55°C |
| 250W | 347-480VAC | 40300lm | 161lm/W | 41000lm | 164lm/W | -40°C to 55°C |
| 300W | 120-277VAC/347-480V | 48500lm | 162lm/W | 49500lm | 165lm/W | -40°C to 65°C |
| 340W | 120-277VAC/347-480V | 54300lm | 160lm/W | 55500lm | 163lm/W | -40°C to 55°C |

DIMENSION

unit: inch/mm



Weight:
200W/250W: 16.27lbs
300W/340W: 17.57lbs

ORDERING GUIDE

| Fixture Type | Wattage | Voltage | CCT | Finish | Sensor (Option) | Adjustment Dial (Option) | Surge Protection (Option) | Internal Code |
|--------------------------|--|----------------------------|--------------------------|-------------------------------------|---|--|---|--------------------------|
| <input type="checkbox"/> | <input type="checkbox"/> | <input type="checkbox"/> | <input type="checkbox"/> | <input type="checkbox"/> | <input type="checkbox"/> | <input type="checkbox"/> | <input type="checkbox"/> | <input type="checkbox"/> |
| MGO-2 High Bay | 20 200W 30 300W 25 250W 34 340W | LV 120-277V HV 347-480V | I 4000K C 5000K | D Dark Bronze B Black W White | M With Sensor Blank Without Sensor | AD With Adjustment Dial Blank Without Adjustment Dial | S Surge protection (Blank) No Surge protection | Blank Alphanumeric |

- Note: 1. 200W and 300W are obtained by 250W and 340W using adjustment dial.
2. 200W or 300W is recommended when the ambient temperature is 65°C (149°F).
3. 250W or 340W is recommended when the ambient temperature is 55°C (131°F)