

Project:	
Type:	
Catalog #:	



DESCRIPTION

The ROA luminaire provides uncompromising optical performance and outstanding versatility for a wide variety of area and roadway applications. Our customer focused features include single latch tool-less entry, industry leading surge protection options and superior lumen maintenance and performance, all in an economical design. It is ideal for illuminating walkways, parking lots and roadways.

SPECIFICATION FEATURES

CONSTRUCTION

- Heavy-duty cast aluminum housing and removable door 3G vibration rated to ensure strength of construction and longevity in application.
- Housing is completely sealed against moisture and environmental contaminants.

OPTICS

- Available in IES Type II, III, IV, distributions.
- Offered Standard in 3000K, 3500K, 4000K and 5000K (+/- 275K) CCT and minimum 70 CRI.
- Scalable Lumen Packages from 6,100 to 20,000 Lumens replaces up to 400W Metal Halide.
- Optics is precisely designed to shape the distribution, maximizing efficiency and application spacing.

ELECTRICAL

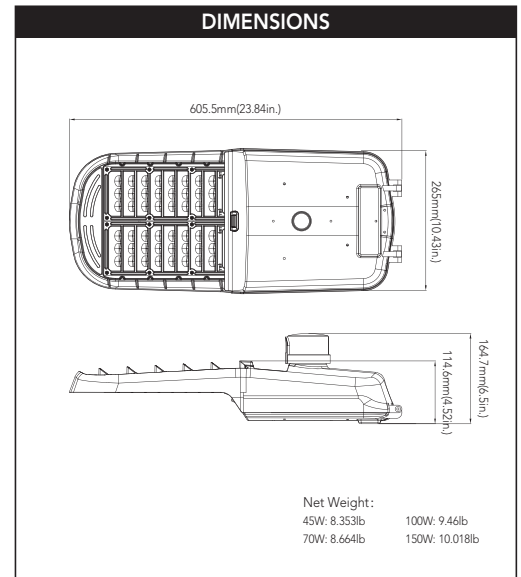
- Standard drivers feature electronic universal voltage (120-277V 50/60Hz), 347V 60Hz or 480V 60Hz operation.
- Standard 1-10V dimming and 10kV/10kA common- and differential- mode surge protection available.
- Greater than 0.9 power factor, less than 20% harmonic distortion, and is suitable for operation in -40°C to 45°C (-40°F to 113°F) ambient environments.
- LED drivers mount to die-cast aluminum back housing for optimal heat sinking, operation efficacy, and prolonged life.

LIFESPAN

- Estimated 100,000-hour LED lifespan based on IES LM-80 results and TM-21 calculations

WARRANTY

- Five-year warranty.



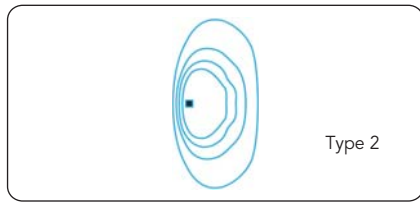
ORDERING GUIDE

Fixture Type	Wattage	Voltage	CCT	Finish	Photocell (Option)	Motion Sensor (Option)	Photometry	Internal Code
<input type="text"/>	<input type="text"/>	<input type="text"/>	<input type="text"/>	<input type="text"/>	<input type="text"/>	<input type="text"/>	<input type="text"/>	<input type="text"/>
ROA	A 45W	LV 120-277V	3K 3000K	G Silver Gray	L 120-277V Photocell	S With Sensor	2 TYPE II Photometry	Blank Alphanumeric
	B 70W	HV 347-480V	35K 3500K	Z Dark Bronze	M 347V Photocell	Blank Without Sensor	3 TYPE III Photometry	
	C 100W		4K 4000K	B Black	H 480V Photocell		4 TYPE IV Photometry	
	D 110W		5K 5000K	W White	Blank Without Photocell			
	E 150W							

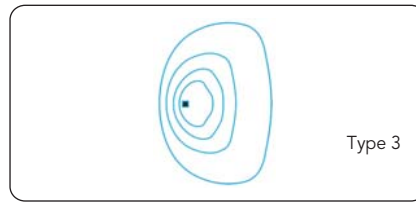
Note: When the voltage is 120-277V, the light is 100W, and the voltage is 110W at 347/480V.

PHOTOMETRICS

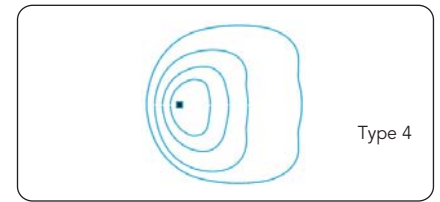
Type 2 optics creates an asymmetric distribution working well in walkway and roadway applications where more light is required "street side" than "house side".



Type 3 optics produces an asymmetrical pattern that directs the majority of the light forward and equally on both sides of the luminaire. In a back-to-back configuration, it creates a rectangular pattern which can extend pole spacings.



Type 4 is suitable for applications where light is primarily required to forward with minimal backlight. Typical installations include perimeter poles.



PERFORMANCE DATA

SYSTEM WATTS	VOLTAGE	DIST. TYPE	CRI	LUMENS (3000K)	LPW (3000K)	LUMENS (3500K)	LPW (3500K)	LUMENS (4000K)	LPW (4000K)	LUMENS (5000K)	LPW (5000K)
45W	120-277V/347-480V	3	70	6100lm	136 lm/W	6200lm	138 lm/W	6300lm	140 lm/W	6350lm	141 lm/W
70W	120-277V/347-480V	3	70	9200lm	131 lm/W	9200lm	131 lm/W	9300lm	133 lm/W	9400lm	134 lm/W
100W	120-277V	3	70	13000lm	130 lm/W	13200lm	132 lm/W	13600lm	136 lm/W	13800lm	138 lm/W
110W	347/480V	3	70	14000lm	127 lm/W	14200lm	129 lm/W	14500lm	132 lm/W	14700lm	134 lm/W
150W	120-277V/347-480V	3	70	19500lm	130 lm/W	19600lm	131 lm/W	19800lm	132 lm/W	20000lm	133 lm/W

ELECTRICAL DATA

Number Of Drivers	Driver Current (mA)	Nominal Power (W)	INPUT VOLTAGE (V)	CURRENT (Amps)
1	1120	45	120	0.38
		45	208	0.22
		45	240	0.19
		45	277	0.16
1	1200	45	347	0.13
		45	480	0.09
1	1750	70	120	0.58
		70	208	0.34
		70	240	0.29
		70	277	0.25
1	1850	70	347	0.20
		70	480	0.15
1	2600	100	120	0.83
		100	208	0.48
		100	240	0.42
		100	277	0.36
		110	347	0.32
		110	480	0.23
1	5600	150	120	1.25
		150	208	0.72
		150	240	0.63
		150	277	0.54
		150	347	0.43
		150	480	0.31