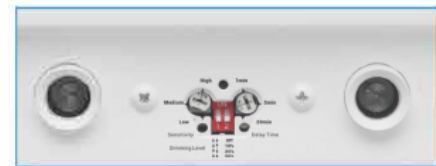


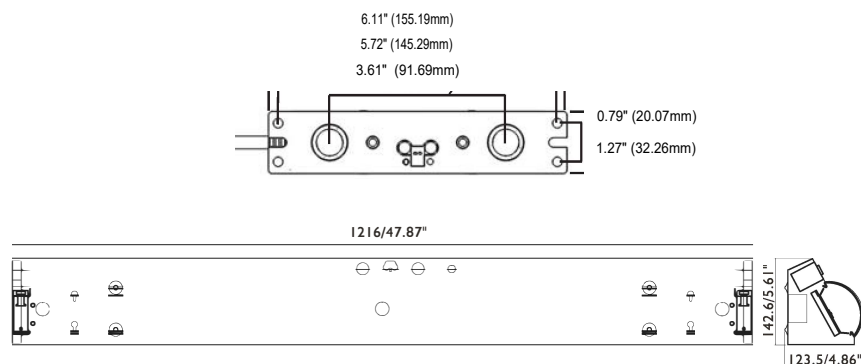
Project:	
Type:	
Catalog #:	



Product Features

- 35/45/55W Power Selectable
- 35K/40K/50K CCT Selectable
- Built-in MCWONG Ultrasonic Sensor
- Built-in IOW EM Battery model available
- High lumen efficiency up to 130LPW, DLC 5.1
- Premium Listed UL 1598 Listed for damp locations
- UL 8750 LED equipment, n lighting products
- 0-10V continuously dimmable, dim down to 10%
- Flicker Rate < 10%
- Wall mounting configuration
- 5 years warranty

DIMENSIONS



Application

Stairwell, Hallways, Corridors,
Closets, Pathways

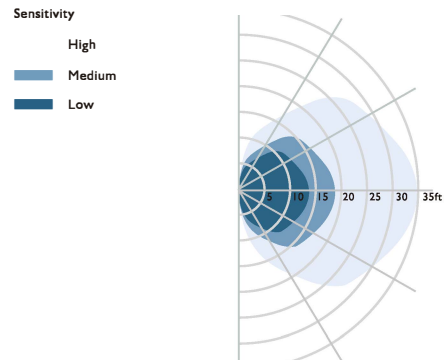
ORDERING INFORMATION

Model	Wattage	Efficacy	CCT	Voltage	DIM	Sensor	EM Battery
STW	34W / 45W / 55W TUNABLE	130LPW	35K / 4K / 5K TUNABLE	120-277V	0-10V	Ultrasonic Sensor	N/A

SENSOR SPECIFICATIONS

Sensor Type	Ultrasonic occupancy sensor
Input Voltage Current	12-24VDC 45mA sensor
Consumption 0-10V	100mA, up to SOLED sink drivers
Output High	Vin-2.5V 100mA source
Low	100mA sink current
Mounting Height	13ft(4.0m)/ 18ft(5.5m)/35ft(10.7m)
[Low/Med/High] Max Range (Wall Mounted)	
Time Delays	1 min, 5 min, 20 min
Sensitivity	Low, Medium, High Off,
Dimming Level	10%, 25%, 50%
Operating Temperature	-30 °C to 70 °C
Storage Temperature	-40 °C to 80 °C
Relative Humidity	90-95% non-condensing at 30 °C
Color	White
Warranty	5 years

Detection Pattern



EMERGENCY SPECIFICATIONS

Input Voltage (range)	120V-277V
Power Factor	0.6@277V
Input AC current	100mA
(max@VAC) Output Power	10W
(max.) Recharge Time Req.	24 hours
Recharge current	0-450mA
Battery type	LiCoMnNiO2
Illumination Time	90 minutes min.
Total Max LED powered	10W
Ambient Temperature	0 °C -50 °C
Design Life	50000 hours

WIRING DIAGRAM

