

Project:	
Type:	
Catalog #:	

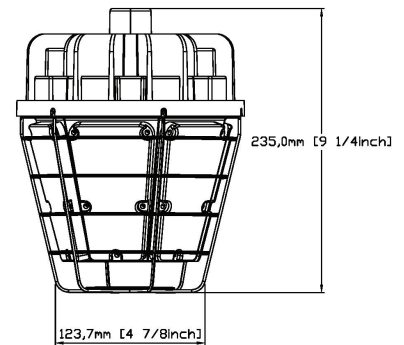
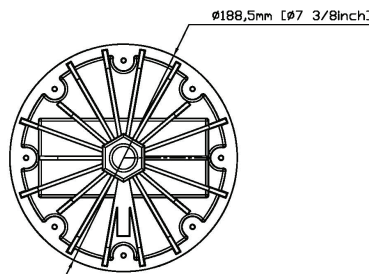
### FEATURES

- Die cast aluminum housing and high impact polycarbonate diffuser
- Compliance to UL1598 , UL844, UL8750, CSA C22.2 NO. 13 Class I Division 2, Class II Division 2 Groups A,B,C,D. Class II Division 2 Groups F,G. Class III
- Operation Temperature -40°C ~ +55°C
- IP65

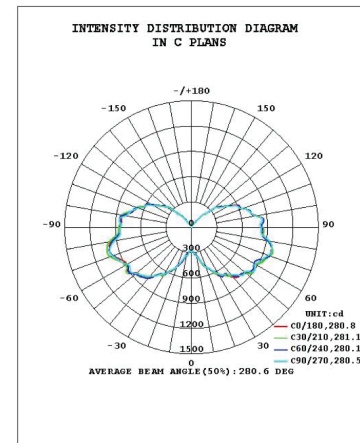


### SPECIFICATIONS

Watts	60W
LED Chip	Nichia
Lumens	8105.77lm
LPW	135.50 lm/W
Input Voltage	120-277 Vac
CCT	5000 K
CRI	≥70
Dimming	none
Power Factor	≥0.9
THD	≤ 20%
Beam Angle	280.6°



Surge	4KV (6KV optional)
IP Rating	IP65
Lens	Polycarbonate
Mounting	Pendant
NON-Dimming	
Beam Angle	NEMA 7X7 (280.6 Degrees)
L70	50,000 Hours
Housing	Die Cast Aluminum
Finish	Powder Coat Paint



### ORDERING INFORMATION

Product Series	Wattage	Voltage	CCT	Finish	Mounting
JJXP	6 = 60W	LV= 100-277V	3000K 4000K 5000K STD	Black White Brown Orange Yellow STD	P= PENDANT