

### Retrofit Styles



PNA  
Appleton



PNC-  
Crouse



PNK-  
Killark/Hubbell



Prismatic Glass Globe

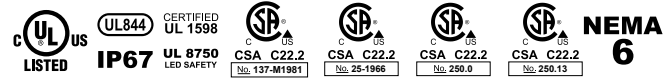


With Accessory "Guard"

Project:	
Type:	
Catalog #:	

FME Lighting | 877 - 234 - 8460 | info@fmelighting.com

### CERTIFICATIONS / RATINGS



### CLASS / DIVISION

- Class I, Div 2, Groups A, B, C, D • Class III
- Class II, Div 2, Groups E, F, G

### KEY FEATURES AND BENEFITS

- Applicable to high temperature environment, up to 100°C (212°F)
- Prismatic and Clear glass globe options with guard accessory.
- Marine grade housing / salt water spray resistant.
- RetroFit options saves on installation time.
- 3/4" NPT pendant hub standard.



### SPECIFICATIONS

<b>Voltage</b>	120V / 277V / 480V AC, (480V only for 80W)
<b>Wattage</b>	40W / 50W / 70W / 80W
<b>Color Temp</b>	White: 3000 Kelvin / 5000 Kelvin
<b>Housing</b>	Aluminum Alloy
<b>Color</b>	Gray
<b>Lens</b>	Tempered Glass: Clear Glass Globe, Prismatic Glass Globe
<b>Lifetime</b>	60,000 hrs L70
<b>CRI</b>	≥ 80 (3000K) / ≥70 (5000K)
<b>Beam Angles</b>	X-170° / Y-170° (40w-80w models)
<b>Power Factor</b>	cos ≥ 0.9, cos ≥ 0.87 (480vAC)
<b>Protection</b>	IP67 / NEMA 6
<b>Warranty</b>	5 Year Limited Warranty (See high ambient temperature applications for warranty exceptions)

### CLASS / DIVISION / TEMPERATURE

Models	Class/ Division	Ambient Temperature	T-Rating	IP Rating
ALL	Class I Division 2 Groups A, B, C, D	-40°C ~ +40°C (-40°F ~ +104°F)	T3C	IP67
	Class II Division 2 Groups E, F, G	+40°C (+104°F)	T6	IP67
	Class III	N/A	N/A	IP67

### HIGH AMBIENT TEMPERATURE APPLICATIONS

#### Non-Hazardous Location Applications - Temperature / Warranty Information

Some models of this light are rated for high ambient temperature operation in non-hazardous locations.

In hazardous locations, the lights **MUST** be operated within the UL rated temperature range detailed in the Class/Division/Temperature chart above. Warranty limitations apply to high ambient temp. operation

Models	Max Ambient Temp	Warranty
All Models	<b>65°C (149°F)</b>	5 Year Limited Warranty
40w/50w 120/277vAC	<b>85°C (185°F)</b>	2 Year Limited Warranty
	<b>100°C (212°F)</b>	1 Year Limited Warranty

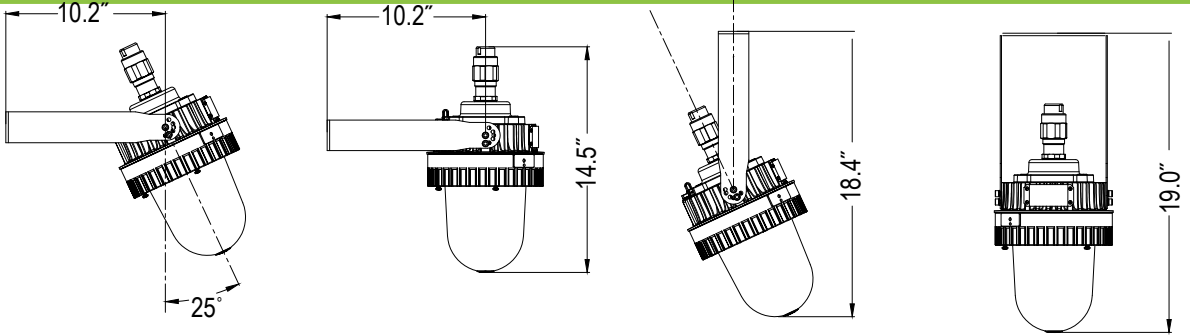
### LUMENS

Kelvin	40W	50W	70W	80W
3000K	3,600	4,500	6,300	7,200
5000K	4,000	5,000	7,000	8,000

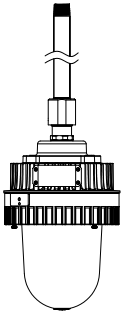
### MOUNTING OPTIONS

#### AB - Adjustable Bracket

Adjustable bracket may be used for ceiling (25 degree hanging) or wall mounting (90 and 25 degree mounting)

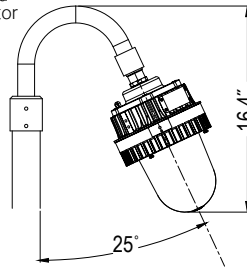


#### PM - Pedant Mount



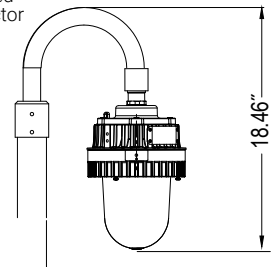
#### 2SM - 25° Stanchion Mount

NPT 1-1/2" threaded connector



#### 9SM - 90° Stanchion Mount

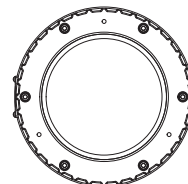
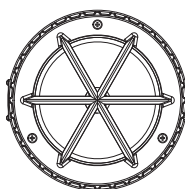
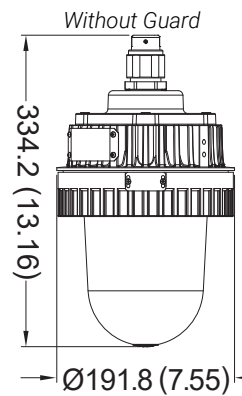
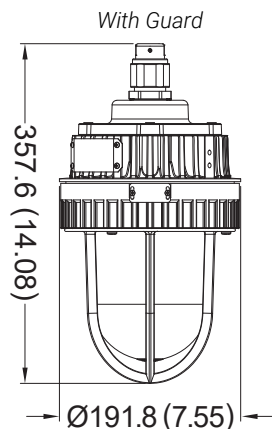
NPT 1-1/2" threaded connector



### WEIGHTS AND DIMENSIONS

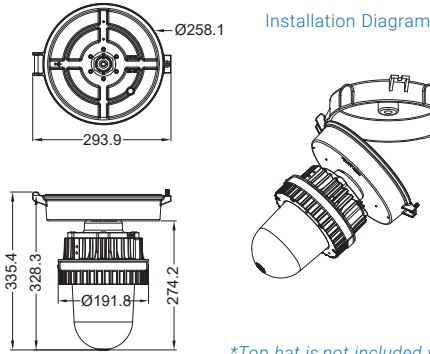
Dimension in Millimeters (inches)

Configuration	lbs
40w/50w/ 70w/80w	20.9 lb



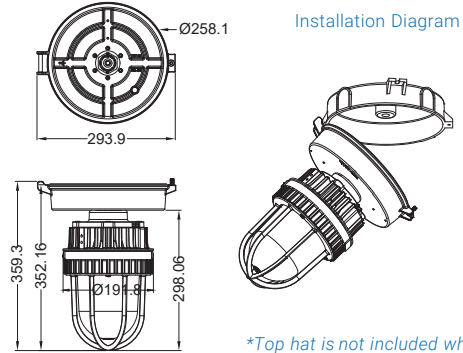
### Mounting Box Option & Dimensions (All in mm)

#### PNC - Retrofit Kit for Crouse



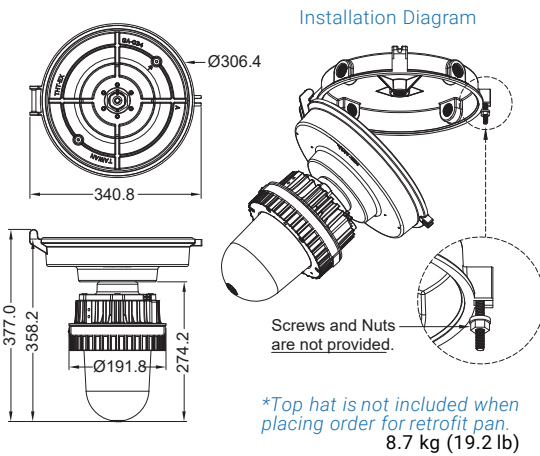
*\*Top hat is not included when placing order for retrofit pan.  
8.4 kg (18.5 lb)*

#### Retrofit Kit with optional accessory "Guard"



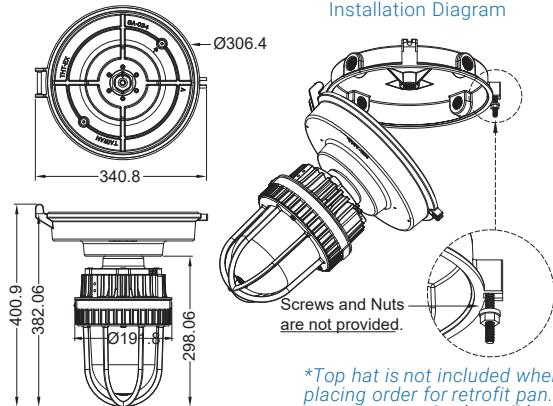
*\*Top hat is not included when placing order for retrofit pan.  
8.7 kg (19.2 lb)*

#### PNA - Retrofit Kit for Appleton



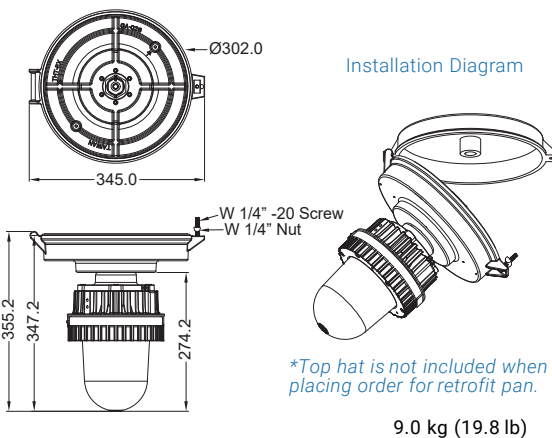
*\*Top hat is not included when placing order for retrofit pan.  
8.7 kg (19.2 lb)*

#### Retrofit Kit with optional accessory "Guard"



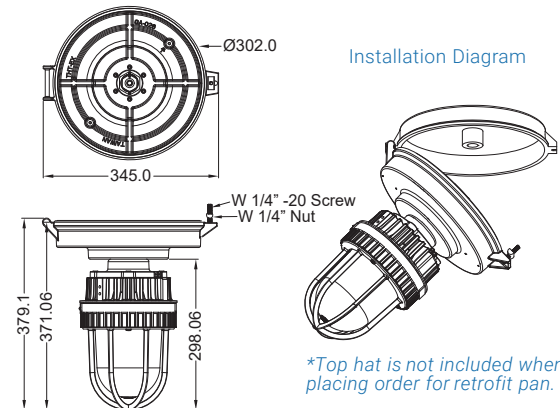
*\*Top hat is not included when placing order for retrofit pan.  
9.0 kg (19.8 lb)*

#### PNK - Retrofit Kit for Killark/Hubbell



*\*Top hat is not included when placing order for retrofit pan.  
9.0 kg (19.8 lb)*

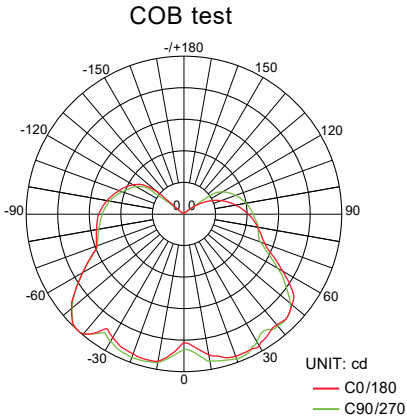
#### Retrofit Kit with optional accessory "Guard"



*\*Top hat is not included when placing order for retrofit pan.  
9.3 kg (20.5 lb)*

### OPTICS REPORT LIGHT DISTRIBUTION

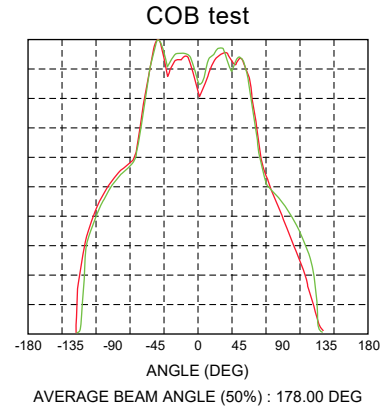
#### Polar Luminous & Intensity Distribution



#### LUMENS

Kelvin	40W	50W	70W	80W
3000K	3,600	4,500	6,300	7,200
5000K	4,000	5,000	7,000	8,000

#### Luminous & Intensity Distribution Diagram



## ORDERING INFORMATION

### ORDERING GUIDE

Series	Wattage	Voltage	CCT	Mounting*	Globe	Accessory
CAN-1	4 = 40W 5 = 50W 7 = 70W 8 = 80W	LV1 = 120 VAC LV2 = 277 VAC HV = 480 VAC (80W Model Only)	S = 3000K C = 5000K	2SM = 25° Stanchion Mount 9SM = 90° Stanchion Mount PNC = Mounting Box - Crouse PNA = Mounting Box - Appleton PNK = Mounting Box - Hubbell/Krillark PNH = Mounting Box - Holophane PND = Mounting Box - Dialight	PG = Prismatic Glass CG = Clear Glass	JB = Junction Box NPT = 3/4" NPT: Pedant Standard WG1 = Globe Guard

\*Prior to ordering, we suggest you try our sample mounting box, to ensure compatibility



## KEY FEATURES AND BENEFITS

The OPEB series junction box intend to be used or explosive atmospheres. For general wiring in hazardous locations. Copper free aluminum enclosure.

- Ex d type flameproof enclosure.
- Four types of enclosures available.
- The degree of protection is IP66.

## SPECIFICATIONS

Model	Terminal Spec
OPEB	2.5mm <sup>2</sup> / 24A
	2.5mm <sup>2</sup> / 24A
	4mm <sup>2</sup> / 27A

Number of Terminal Block	Cable Entry Spec	Cable Entry Amount
Max. 4	¾" NPT / M25x1.5	Max.5

- Certification For OPEB Series Junction Box**
- Class I, Division 1, Groups A, B, C and D
  - Class I, Division 2, Groups A, B, C and D
  - Class II, Division 1, Groups E, F and G
  - Class II, Division 2, Groups F and G
  - Class III

**Rated Voltage** Max.800VAC  
**Rated Current** 24A, 32A, 41A

- Ambient Temperature**
- Type A, B, C, D, E, F: Threaded joints
  - Type KB1: Flanged and threaded joints

## DIMENSIONS

