

Retrofit Styles



PNA-Appleton



PNC-Crouse



PNH-Holophane



PNK-Killark/Hubbell



Project:	
Type:	
Catalog #:	

FME Lighting | 877 - 234 - 8460 | info@fmelighting.com

CERTIFICATIONS / RATINGS



CLASS / DIVISION

- Class I, Div 2, Groups A, B, C, D • Class III
- Class II, Div 2, Groups F, G

KEY FEATURES AND BENEFITS

- Applicable high temperature environments up to 85 C (185 F).
- RetroFit options saves on installation time, easy replacement of competitors fixtures.
- Marine grade housing / salt water spray resistant.
- 3/4" NPT pendant hub standard.
- Comes standard with 304 stainless steel hardware options for 316 stainless steel upgrades.



SPECIFICATIONS

Voltage	120vAC / 277vAC / 480vAC
Wattage	120w / 140w
Color Temp	3000 / 5000 Kelvin
Housing	Coated copper free aluminum alloy
Color	Gray
Lens	Tempered Glass
Lifetime	60,000 hrs L70
CRI	≥ 80 (3000K) / ≥70 (5000K)
Beam Angles	X-110° / Y-110°
Power Factor	cos ≥ 0.9, cos ≥ 0.87 (480vAC)
Protection	IP67 / NEMA 6
Dimming	None Dimming
Warranty	5 Year Limited Warranty (See high ambient temperature applications for warranty exceptions)

CLASS / DIVISION / TEMPERATURE

Models	Class/ Division	Ambient Temperature	T-Rating	IP Rating
ALL	Class I Division 2 Groups A, B, C, D	-40°C ~ +40°C (-40°F ~ +104°F)	T3C	IP67
	Class II Division 2 Groups F, G	+40°C (+104°F)	T6	IP67
	Class III	N/A	N/A	IP67

HIGH AMBIENT TEMPERATURE APPLICATIONS

Non-Hazardous Location Applications - Temperature / Warranty Information		
Some models of this light are rated for high ambient temperature operation in non-hazardous locations.		
In hazardous locations, the lights MUST be operated within the UL rated temperature range detailed in the Class/Division/Temperature chart above.		
Warranty limitations apply to high ambient temp. operation		
Models	Max Ambient Temp	Warranty
All Models	65°C (149°F)	5 Year Limited Warranty
120w models	85°C (185°F)	2 Year Limited Warranty

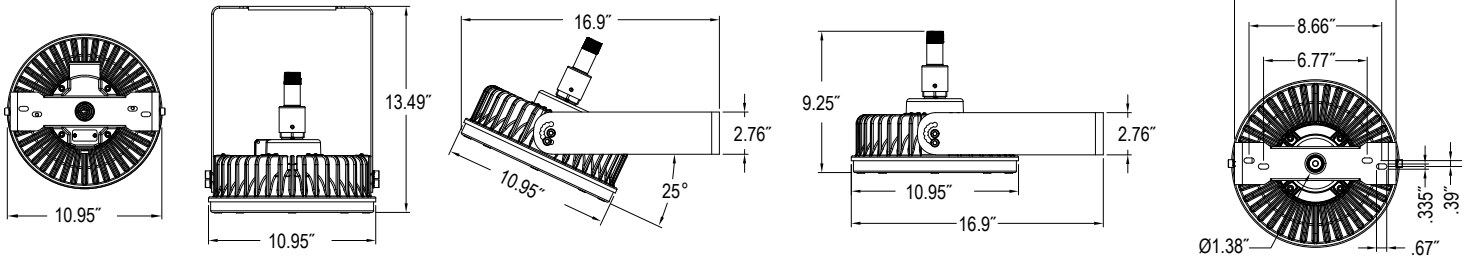
LUMENS

Kelvin	120W	140W
3000K	10,800	12,600
5000K	12,000	14,000

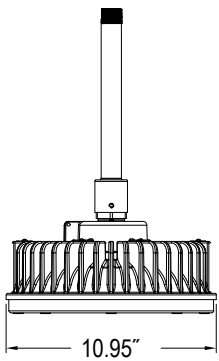
MOUNTING OPTIONS

AB - Adjustable Bracket

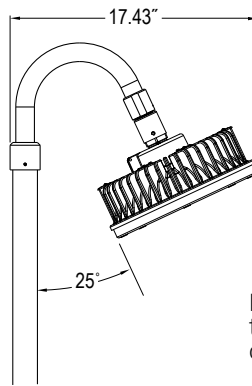
Adjustable bracket may be used for ceiling (25 degree hanging) or wall mounting (90 and 25 degree mounting)



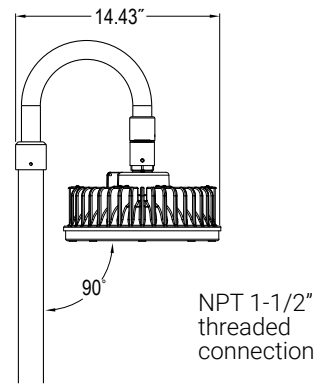
PM - Pendant Mount



2SM - 25° Pole Stanchion

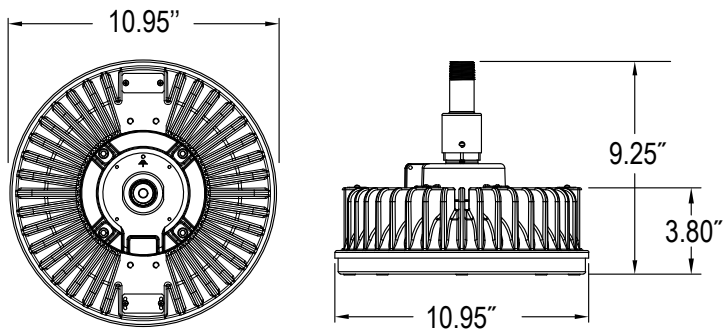


9SM - 90° Stanchion Mount



WEIGHTS AND DIMENSIONS

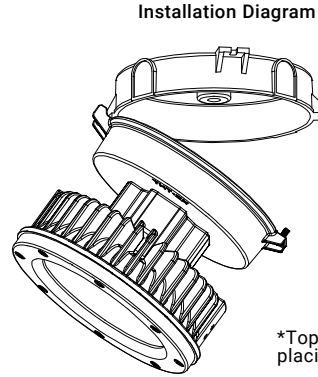
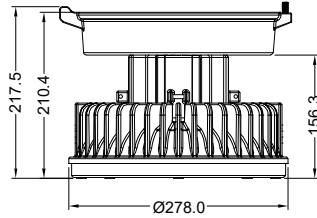
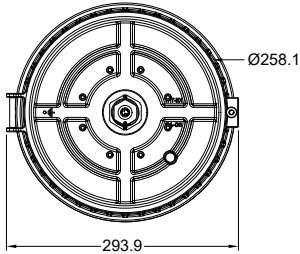
Configuration	lbs
Without Bracket	24.2 lbs
With Bracket	26.7 lbs



Mounting Box Option & Dimensions (All in mm)

PNC - Retrofit Kit for Crouse

(PAN)

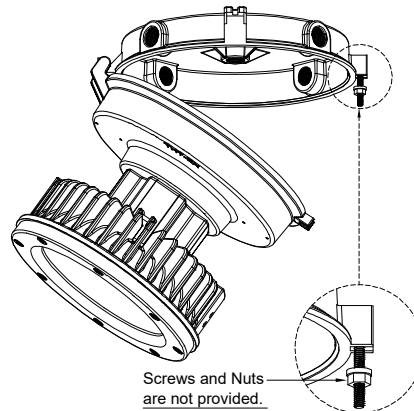
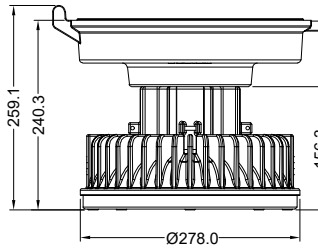
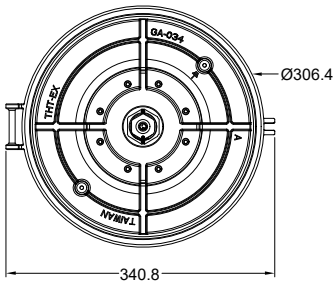


12.0 kg (26.5 lb)

*Top hat is not included when, placing order for retrofit.

PNA - Retrofit Kit for Appleton

(PANA)



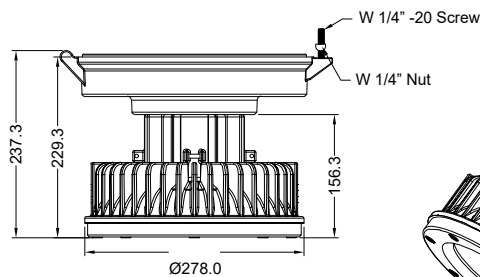
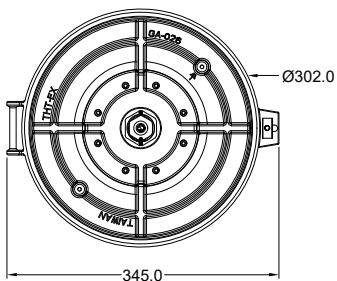
12.3 kg (27.1 lb)

Screws and Nuts
are not provided.

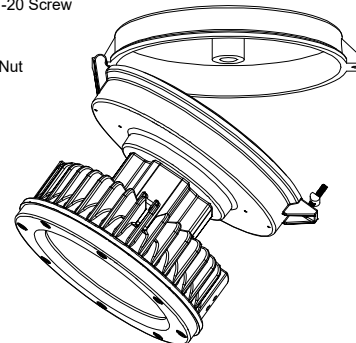
*Top hat is not included when, placing order for retrofit.

PNK - Retrofit Kit for Killark/Hubbell

(PANK)



Installation Diagram

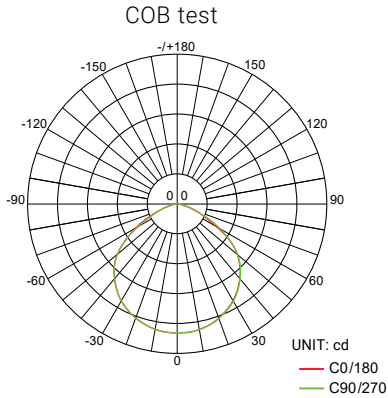


12.5 kg (27.6 lb)

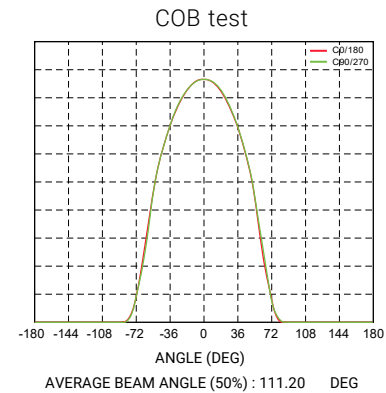
*Top hat is not included when, placing order for retrofit.

OPTICS REPORT LIGHT DISTRIBUTION

Polar Luminous & Intensity Distribution



Luminous & Intensity Distribution Diagram



LUMENS

Kelvin	120W	140W
3000K	10,800	12,600
5000K	12,000	14,000

ORDERING INFORMATION

ORDERING GUIDE

Series	Wattage	Voltage	CCT	Mounting*	Accessory
HYD	12 = 120W 14 = 140W	LV1 = 120 VAC LV2 = 277 VAC HV = 480 VAC	S = 3000K C = 5000K	2SM = 25° Stanchion Mount 9SM = 90° Stanchion Mount PNC = Mounting Box - Crouse PNA = Mounting Box - Appleton PNK = Mounting Box - Hubbell/Krillark PNH = Mounting Box - Holophane PND = Mounting Box - Dialight MB = J-Box Mount: CID2 G:A,B,C,D Only	JB = Junction Box NPT = 3/4" NPT: Pedant Standard SD = 304SS-Stainless Steel Bracket & Hardware UG = 316SS-316 Stainless Steel FC = Fluorocarbon Coating

*Prior to ordering, we suggest you try our sample mounting box, to ensure compatibility



KEY FEATURES AND BENEFITS

The OPEB series junction box intend to be used or explosive atmospheres. For general wiring in hazardous locations. Copper free aluminum enclosure.

- Ex d type flameproof enclosure.
- Four types of enclosures available.
- The degree of protection is IP66.

SPECIFICATIONS

Model	Terminal Spec
OPEB	2.5mm ² / 24A
	2.5mm ² / 24A
	4mm ² / 27A

Number of Terminal Block	Cable Entry Spec	Cable Entry Amount
Max. 4	¾" NPT / M25x1.5	Max.5

- Certification For OPEB Series Junction Box**
- Class I, Division 1, Groups A, B, C and D
 - Class I, Division 2, Groups A, B, C and D
 - Class II, Division 1, Groups E, F and G
 - Class II, Division 2, Groups F and G
 - Class III

Rated Voltage Max.800VAC
Rated Current 24A, 32A, 41A

- Ambient Temperature**
- Type A, B, C, D, E, F: Threaded joints
 - Type KB1: Flanged and threaded joints

DIMENSIONS

