

Project:	
Type:	
Catalog # :	

FME Lighting | 877 - 234 - 8460 | info@fmelighting.com



SPECIFICATIONS

COLOR TEMP	3000K/4000K/5000K Kelvin
HOUSING & HARDWARE	• ADC12 Aluminum Alloy • Stainless steel
LENS	Tempered Glass
AMBIENT TEMP	-40°C to +60°C
BEAM ANGLES	40°, 60°, 90° & 120°
LIFESPAN	50,000 hours lifespan
AMBIENT TEMPERATURE	-40°C to 60°C (-40°F to 140°F)
PROTECTION	IP67/IP66 IK09
WARRANTY	5 Year Limited Warranty

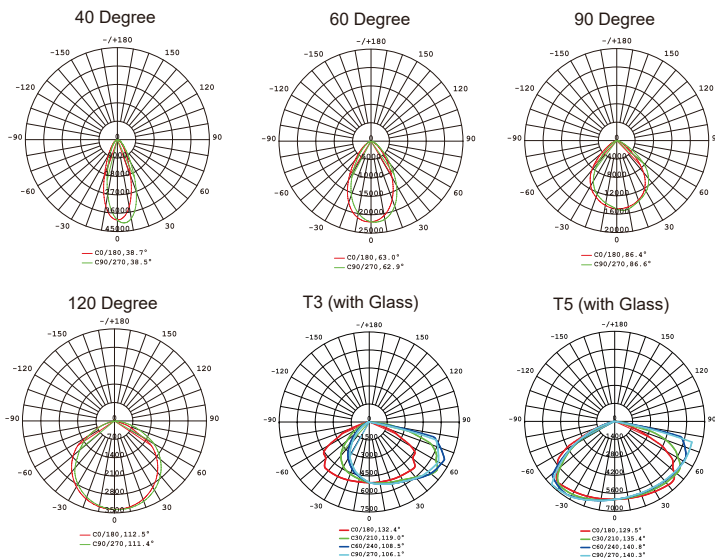
CERTIFICATIONS / RATINGS

- Class I, Division 2
Groups A, B, C, D
- Class II, Division 1
Groups E, F, G
- Class II, Division 2
Groups F, G
- Class III
- UI1598
- UL1598A
- IP66/IP67
- IK09

KEY FEATURES

- Ideal for a wide range of industries: oil and gas, chemical, marine, aerospace, metal treatment, food and alcohol, and more.
- Operates in extreme temperatures ranging from -40°C (-40°F) to 60°C (140°F).
- Waterproof and dust-proof design with IP66/IP67 rating eliminates the need for internal cleaning and maintenance.
- Simple structure facilitates easy and quick installation.
- Tailored for high humidity, high dust, high temperature, and vapor-rich environments.

OPTICS



Model	Wattage	Operating Voltage
LFL-1	200-250W	AC90-305V/100-305V/277-480V/180-528V 50/60Hz
LFL-2	10-150W	AC90-305V/100-305V/277-480V/180-528V 50/60Hz
LFL-3	10-150W	AC90-305V/100-305V/277-480V 50/60Hz

Total Lumens (lm)	Efficacy (lm/W)	CRI	Dimming
24,000-35,000	120-140	>70	0-10V dimmable
1,200-21,000	120-140	>70	0-10V dimmable
1,200-21,000	120-140	>70	0-10V dimmable

ORDERING INFORMATION

ORDERING GUIDE

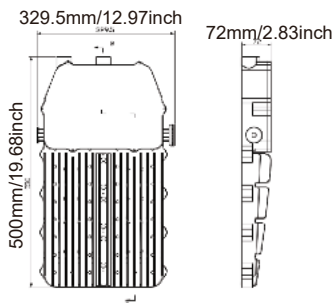
Series	Version <small>(See Page 2 for Examples)</small>	Wattage*	Voltage*	CCT	Beam Angle	Dimming	Mounting	Accessory
LFL	1 2 3	A = 100W B = 150W C = 200W D = 250W	LV1 = 100-244VAC HV1 = 277-480VAC	S = 3000K I = 4000K C = 5000K	W = 40 X = 60 Y = 90 Z = 120	D = 0-10V Dimmable ND = None Dimming	TM = Trunnion mounting kit: Standard SF = Slip fitter mounting kit AMA = Adjustable Arm mounting kit A AMB = Adjustable Arm mounting kit B	B1 = Hardware mounting bracket* B2 = Light pole mounting bracket H = Hoop** AB = Adapter bracket

*Please Check Supported Voltage and Wattage range for Your Desired Version.

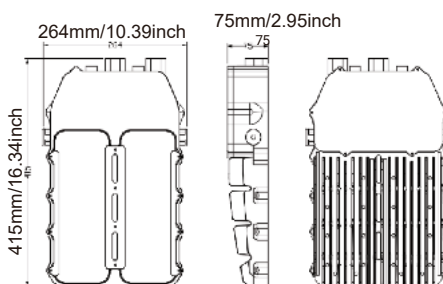
*=LFL-1 & 2 Only
** = LFL-3 Only

DIMENSIONS & PACKING:

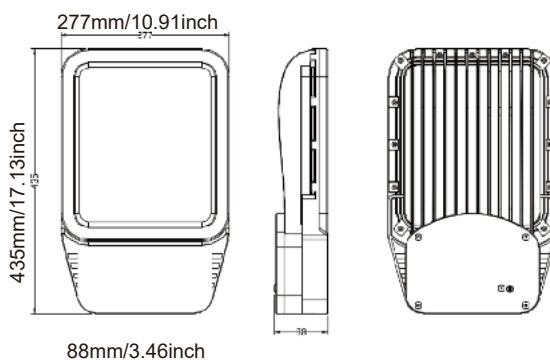
LFL-1



LFL-2



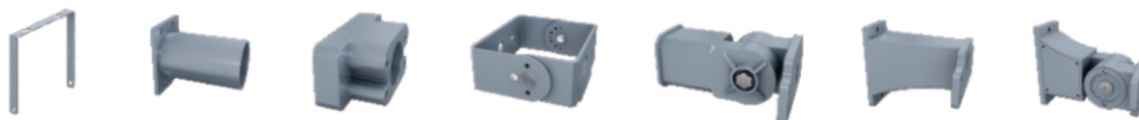
LFL-3



Model	Packing Size	Net Weight	Gross Weight
LFL-1	19.7x13x2.8 inch	9.5 kg / 20.94 lbs	10.5 kg/ 23.15 lbs
LFL-2	16.3x10.4x3 inch	6.5 kg / 14.33 lbs	7.5 kg/ 16.53 lbs
LFL-3	17.1x11x3.5 inch	7.3 kg / 16.09 lbs	8.3 kg/ 18.3 lbs

ACCESSORIES & MOUNTING KITS:

LFL-1 & 2



a b c d e f g

- a. Trunnion mounting bracket (TM)
- b. Light pole mounting bracket (B2)
- c. Adapter bracket (AB)
- d. Trunnion mounting kit (TM)
- e. Slip fitter mounting kit (SF)
- f. Arm mounting kit A (AMA)
- g. Adjustable arm mounting kit B (AM-B)

LFL-3

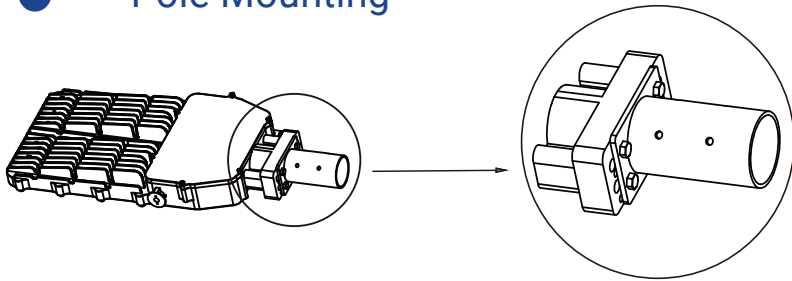


a b c d e f g

- a. Light pole mounting bracket (B2)
- b. Hoop (H)
- c. Adapter bracket (AB)
- d. Trunnion mounting kit (TM)
- e. Slip fitter mounting kit (SF)
- f. Arm mounting kit A (AMA)
- g. Adjustable arm mounting kit B (AMB)

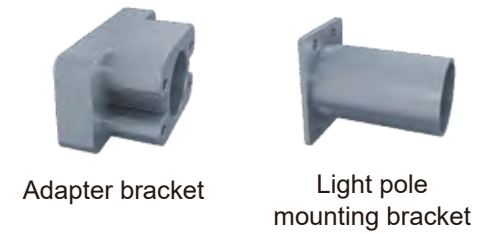
MOUNTING

● Pole Mounting



Adapter bracket &
Light pole mounting bracket

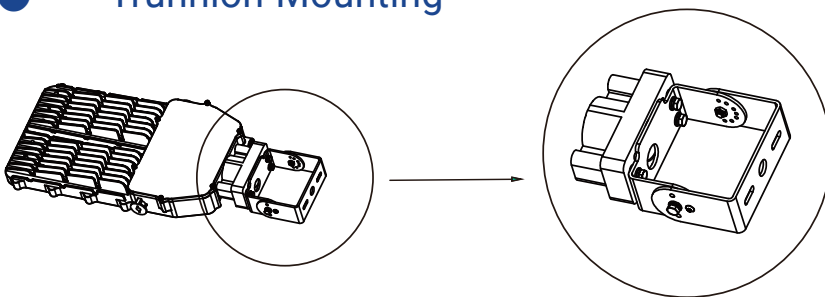
● Accessories



Adapter bracket

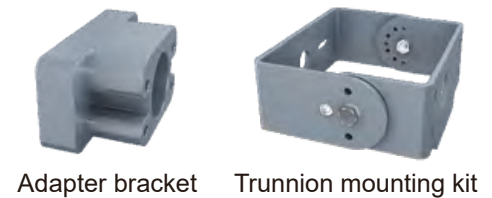
Light pole
mounting bracket

● Trunnion Mounting



Adapter bracket &
Trunnion mounition kit

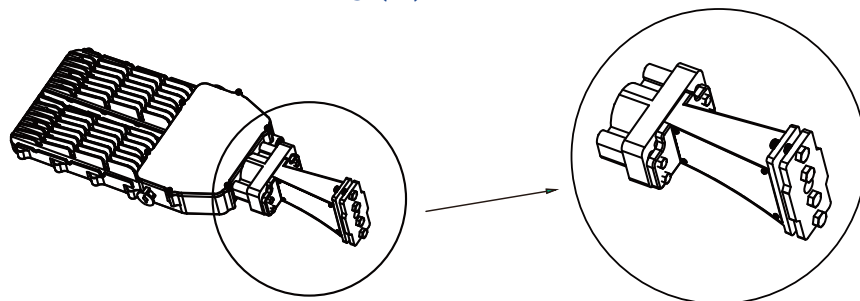
● Accessories



Adapter bracket

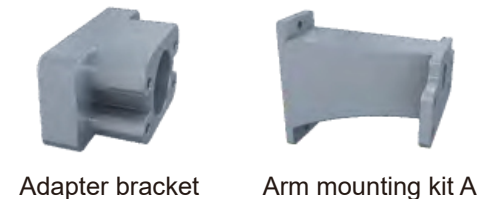
Trunnion mounting kit

● Arm Mounting (A)



Adapter bracket &
Arm mounting kit A

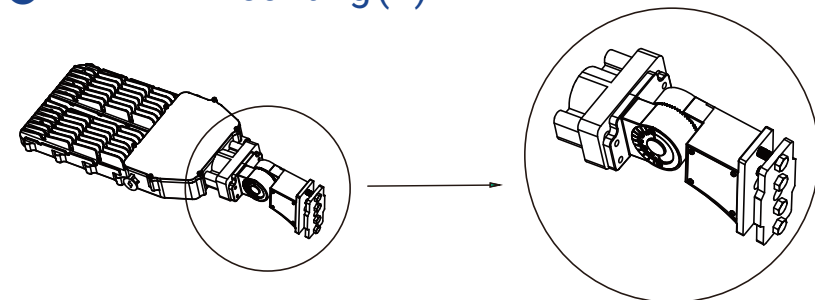
● Accessories



Adapter bracket

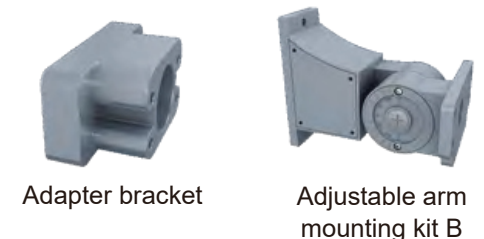
Arm mounting kit A

● Arm Mounting (B)



Adapter bracket &
Adjustable arm mounition kit B

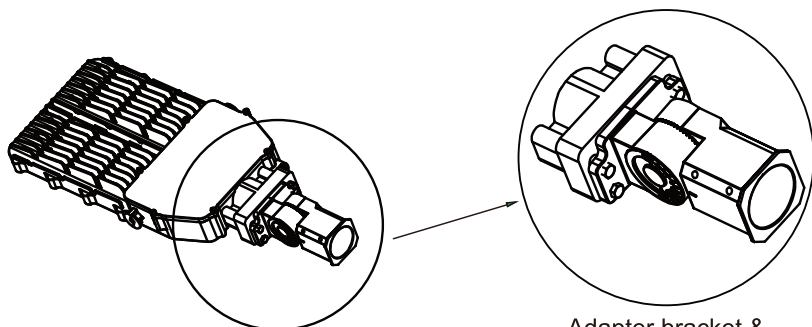
● Accessories



Adapter bracket

Adjustable arm
mounting kit B

● Slip Fitter Mounting



Adapter bracket &
Slip fitter mounion kit

● Accessories

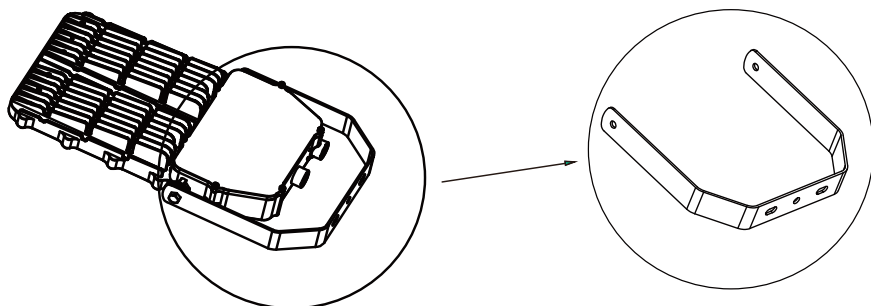


Adapter bracket



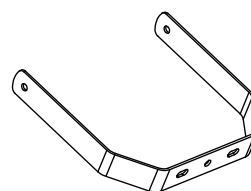
Slip fitter mounion kit

● Bracket Mounting



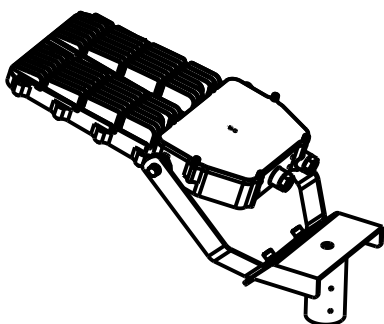
Steel bracket

● Accessory



Steel bracket

● Stanchion Mounting



● Accessory



Slip Fitter