

Project:	
Type:	
Catalog # :	

FME Lighting | 877 - 234 - 8460 | info@fmelighting.com



SPECIFICATIONS

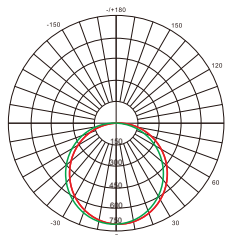
VOLTAGE	120-277V/AC
WATTAGE	12W , 15W, 18W (Tunable)
COLOR TEMP	3500/4000/5000/5700/6500 Kelvin (Tunable)
AMBIENT TEMP	-4°F to +113°F
JUNCTION TEMP	< 75°C
BEAM ANGLE	120°
CRI	> 80
LENS	High transmission PC
HOUSING	Aluminum & Plastic
LAMP EFFICIENCY	≥90%
EQUIVALENT	24-60W MH/HPS
CERTIFICATE	ETL cETL DLC
LED DRIVER	UL Driver
WARRANTY	5 Year Limited Warranty

KEY FEATURES

- Operates seamlessly with the majority of instant-start and programmed-start T8 electronic ballasts.
- Designed to override ballasts with a versatile 120-277V line voltage compatibility.
- Offers flexibility with both single-ended and double-ended connection options.
- Features adjustable correlated color temperature (CCT) and power level settings.
- Boasts a longevity of over 50,000 hours for extended use.
- Ideal for varied indoor settings such as offices, meeting rooms, stores, and restaurants, in both humid and dry conditions.
- Has a wide operational temperature range from -4°F to +113°F.
- Certified by ETL for safety and compliance standards.

LUMENS & OPTICS

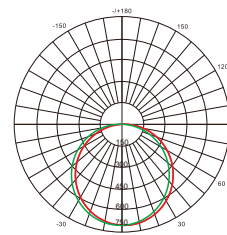
DISTRIBUTION DIAGRAM



AVERAGE BEAM ANGLE(50%):120°

Lumens:1350LM
TestNumber:12W
TestNumber:5000K

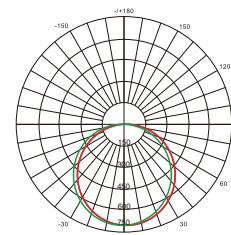
UNIT:CD
- C0/180,110.9
- C30/210,110.5
- C60/240,109.3
- C90/270,109.1



AVERAGE BEAM ANGLE(50%):120°

Lumens:2000LM
TestNumber:15W
TestNumber:5000K

UNIT:CD
- C0/180,110.9
- C30/210,110.5
- C60/240,109.3
- C90/270,109.1



AVERAGE BEAM ANGLE(50%):120°

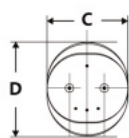
Lumens:2300LM
Test Number:16W
TestNumber:5000K

UNIT:CD
- C0/180,110.9
- C30/210,110.5
- C60/240,109.3
- C90/270,109.1

Wattage	Lumens Output	Efficiency
12W	1650LM	140LM/W
15W	2000LM	135LM/W
18W	2300LM	130LM/W

DIMENSIONS

A (Body Length)	47.17"
B (Illuminated Length)	45.47"
C (Width)	1.32"
D (Height)	1.15"



ORDERING INFORMATION

ORDERING GUIDE

Series	Luminary Size	Wattage	Voltage	CCT	Accessory
PWT	4 = 4' LED T8 Tubes	2 = 12W 5 = 15W 8 = 18W V = Tunable	LV1 = 120-277V/AC	S = 3000K I = 4000K C = 5000K K = 5700K A = 6500K V = Tunable	EM = Emergency Battery Backup

INSTALLATION INSTRUCTIONS

DIRECT REPLACEMENT (WITH EXISTING BALLAST)

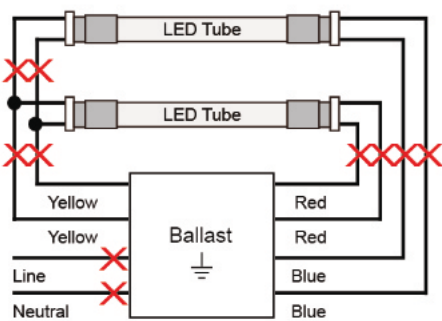
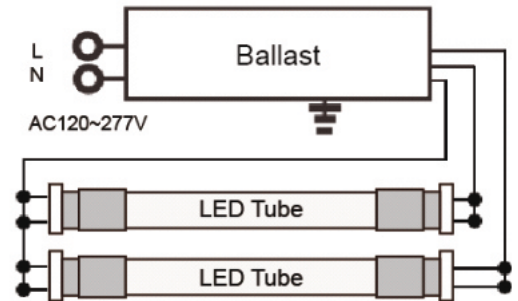
* **Warning:** Check Ballast Compatibility List before installation.

1. Turn power off.
2. Remove lens or diffuser, if applicable.
3. Remove existing fluorescent lamp(s) from the luminary.
4. Install the LED replacement lamp(s), one lamp for each fluorescent lamp removed*
5. Replace lens or diffuser back in place, if applicable.
6. Turn power back on.

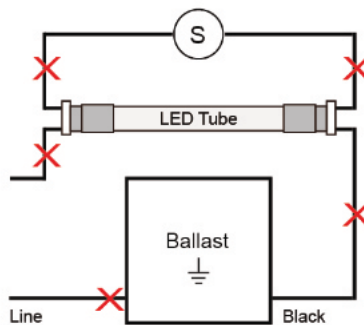
BY-PASS REPLACEMENT (WITH OUT BALLAST)

1. Disconnect power from fixture.
2. Remove fluorescent lamps.
3. Remove lens and wiring compartment, if applicable.

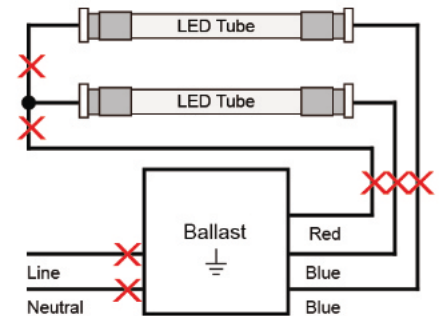
PLUG & PLAY



PROGRAM START



PREHEAT WITH STARTER



INSTANT START

4. Cut all wires connected to ballast (see Figure A: Typical Ballast Configurations).

