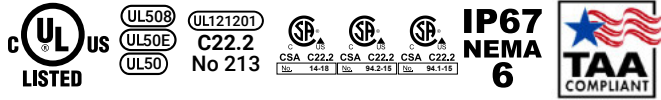


Project:	
Type:	
Catalog #:	

FME Lighting | 877 - 234 - 8460 | info@fmelighting.com



SPECIFICATIONS

VOLTAGE	12V / 24V DC ; 12V / 24V / 110V / 220V AC
LIGHT COLORS	Red, Orange, Green, Blue & White
HOUSING	Aluminum Alloy
COLOR	Gray
LENS	PC
AMBIENT TEMPERATURE	-25°C ~ +40°C
FREQUENCY	50 / 60 Hz (AC)
ENTRANCE THREAD	M22
PROTECTION	IP67 / NEMA 6
DIMMING	None Dimming
WARRANTY	5 Year Limited Warranty*

*HEAT RESISTANT (HIGH HEAT) LIGHT WARRANTY: *EXPLOSION-PROOF LED LIGHT WARRANTY:
 • 100C TO 86C – 1-YEAR WARRANTY WITHOUT WARRANTING LUMEN DEPRECIATION. • AT OR BELOW 65C – 5-YEAR WARRANTY.
 • 85C TO 65C – 2-YEAR WARRANTY WITHOUT WARRANTING LUMEN DEPRECIATION.

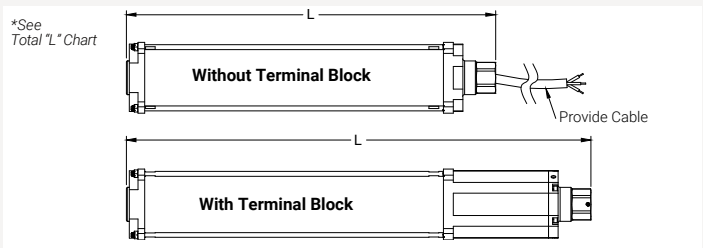
CERTIFICATIONS / RATINGS

- Class I, Div 2, Groups A, B, C, D
- Class II, Div 2, Groups F, G
- Class III
- UL 508
- UL 50E
- UL 50
- UL 121201
- C22.2 No 213
- CSA C22.2 NO. 14-18
- CSA C22.2 No. 94.2-15
- CSA C22.2 No. 94.1-15

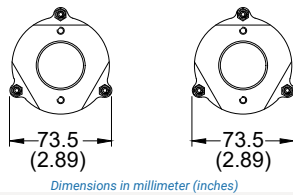
KEY FEATURES & BENEFITS

- Versatile design with optional terminal box and buzzer for enhanced customization.
- Single-color lights suitable for various applications including warnings, and eye-washer indicators.
- Wide range of available light colors: Red, Orange, Green, Blue, White, catering to different signaling needs.
- High-level protection with IP67 and NEMA 6 ratings, ideal for hazardous locations.
- Audible alert feature with a 80 dB buzzer (tested at 1 meter distance), ensuring effective warning notification.

DIMENSIONS & WEIGHT



Configuration	lbs
Without Terminal Block-5 sections	3.3 lb
With Terminal Block-5 sections	4.4 lb



LED LAMP AND BUZZER RATED CURRENT (±10%)

Component	12VDC	12VAC	24VDC	24VAC	110VAC	220VAC
LED	0.08A	0.15A	0.05A	0.07A	0.02A	0.02A
Buzzer	0.08A	0.08A	0.02A	0.02A	0.01A	0.01A

STANDARD COLOR ARRANGEMNT

Sections	1	2	3	4	5
Standard	Red	Red x Green	Red x Orange x Green	Red x Orange x Green x Blue	Red x Orange x Green x Blue x White

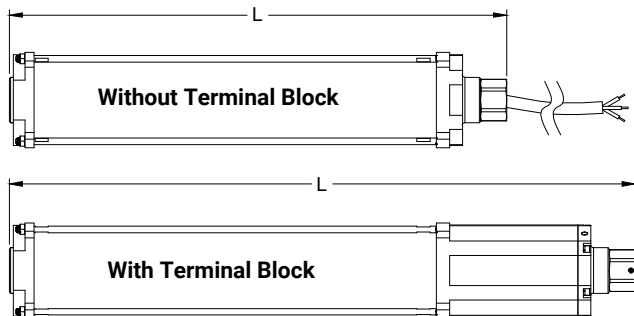
ORDERING INFORMATION

ORDERING GUIDE

Series	Function	Sections	Voltage	Color Option* (Selection from Top to Bottom)	Mounting	Terminal Block
TOW	1 = Non-Flashing mode 2 = Flashing mode 3 = Flashing mode with Buzzer 4 = Non-Flashing mode with Buzzer	1 = 1 Light 2 = 2 Lights 3 = 3 Lights 4 = 4 Lights 5 = 5 Lights	LV1 = 12V LV2 = 24V HV1 = 110V HV2 = 220V	R = Red O = Orange G = Green B = Blue W = White	WM = Wall Mount CM = Ceiling Mount PS = Pole Stand FM = Foldable Mount PM = Pole Mount	Y = With Terminal Block N = Without Terminal Block

*Standard Color Arrangement, for custom color arrangements please note in "Color Option" in Ordering Information.
 Example: R,R,B (For a Light Tower with 2 Red lights and 1 Blue).

TOTAL HEIGHT "L"



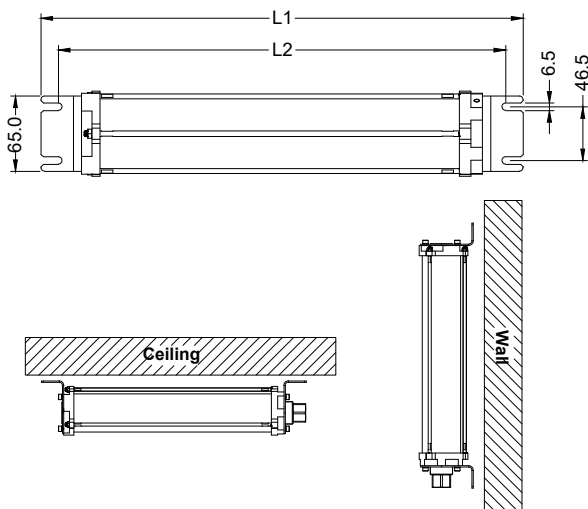
Section	Without Terminal Block		With Terminal Block		Color* (From Top to Bottom)
	1. None-Flashing Mode	2. Flashing Mode 3. Flashing Mode with Buzzer 4. Non-Flashing Mode with Buzzer	1. None-Flashing Mode	2. Flashing Mode 3. Flashing Mode with Buzzer 4. Non-Flashing Mode with Buzzer	
1	255 mm	255 mm	354 mm	354 mm	Red
2	255 mm	319 mm	354 mm	418 mm	Red x Green
3	319 mm	383 mm	418 mm	482 mm	Red x Orange x Green
4	383 mm	447 mm	482 mm	546 mm	Red x Orange x Green x Blue
5	447 mm	511 mm	546 mm	610 mm	Red x Orange x Green x Blue x White

*Standard Color Arrangement, for custom color arrangements please note in "Color Option" in Ordering Information.

Example: R,R,B (For a Light Tower with 2 Red lights and 1 Blue).

MOUNTING OPTIONS

WM & CM - Two Positions: Wall Mount & Ceiling Mount

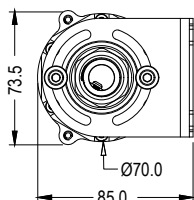
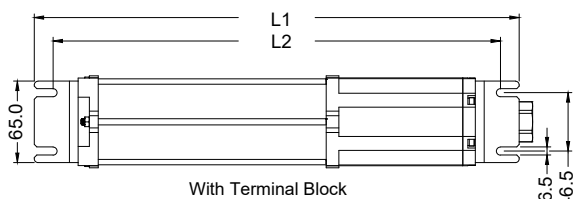


LENGTH "L1"

Section	Without Terminal Block		With Terminal Block	
	1. None-Flashing Mode	2. Flashing Mode 3. Flashing Mode w/ Buzzer 4. Non-Flashing Mode w/ Buzzer	1. None-Flashing Mode	2. Flashing Mode 3. Flashing Mode w/ Buzzer 4. Non-Flashing Mode w/ Buzzer
1	288 mm	288 mm	387 mm	387 mm
2	288 mm	352 mm	387 mm	451 mm
3	352 mm	416 mm	451 mm	515 mm
4	416 mm	480 mm	515 mm	579 mm
5	480 mm	544 mm	579 mm	643 mm

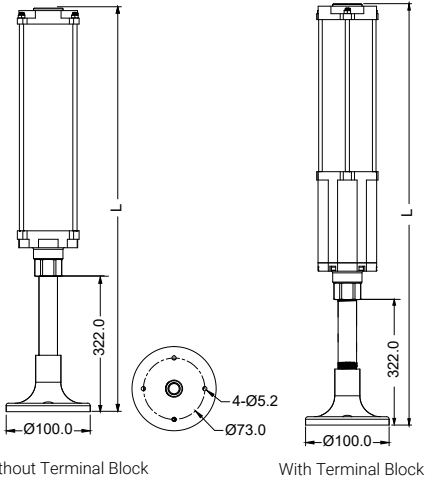
LENGTH "L1"

Section	Without Terminal Block		With Terminal Block	
	1. None-Flashing Mode	2. Flashing Mode 3. Flashing Mode w/ Buzzer 4. Non-Flashing Mode w/ Buzzer	1. None-Flashing Mode	2. Flashing Mode 3. Flashing Mode w/ Buzzer 4. Non-Flashing Mode w/ Buzzer
1	258 mm	258 mm	357 mm	357 mm
2	258 mm	322 mm	357 mm	421 mm
3	322 mm	386 mm	421 mm	485 mm
4	386 mm	450 mm	485 mm	549 mm
5	450 mm	514 mm	549 mm	613 mm



MOUNTING OPTIONS

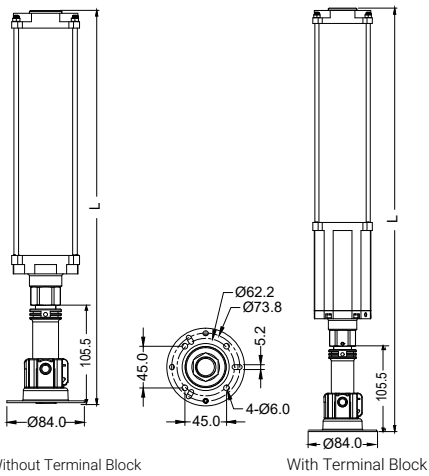
PS - Pole Stand



TOTAL HEIGHT "L" (FOR REFERENCE ONLY)

Section	Without Terminal Block		With Terminal Block	
	1. None-Flashing Mode	2. Flashing Mode 3. Flashing Mode w/ Buzzer 4. Non-Flashing Mode w/ Buzzer	1. None-Flashing Mode	2. Flashing Mode 3. Flashing Mode w/ Buzzer 4. Non-Flashing Mode w/ Buzzer
1	577 mm	577 mm	676 mm	676 mm
2	577 mm	641 mm	676 mm	740 mm
3	641 mm	705 mm	740 mm	804 mm
4	705 mm	769 mm	804 mm	868 mm
5	769 mm	833 mm	868 mm	932 mm

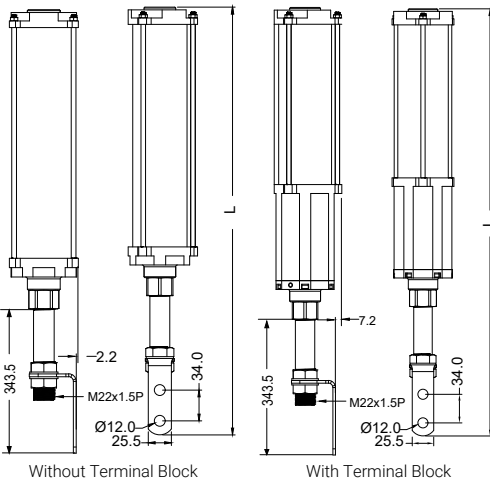
FM - Foldable Mount



TOTAL HEIGHT "L" (FOR REFERENCE ONLY)

Section	Without Terminal Block		With Terminal Block	
	1. None-Flashing Mode	2. Flashing Mode 3. Flashing Mode w/ Buzzer 4. Non-Flashing Mode w/ Buzzer	1. None-Flashing Mode	2. Flashing Mode 3. Flashing Mode w/ Buzzer 4. Non-Flashing Mode w/ Buzzer
1	360.5 mm	360.5 mm	459.5 mm	459.5 mm
2	360.5 mm	424.5 mm	459.5 mm	523.5 mm
3	424.5 mm	488.5 mm	523.5 mm	587.5 mm
4	488.5 mm	552.5 mm	587.5 mm	651.5 mm
5	552.5 mm	616.5 mm	651.5 mm	715.5 mm

PM - Pole Mount



TOTAL HEIGHT "L" (FOR REFERENCE ONLY)

Section	Without Terminal Block		With Terminal Block	
	1. None-Flashing Mode	2. Flashing Mode 3. Flashing Mode w/ Buzzer 4. Non-Flashing Mode w/ Buzzer	1. None-Flashing Mode	2. Flashing Mode 3. Flashing Mode w/ Buzzer 4. Non-Flashing Mode w/ Buzzer
1	598.5 mm	598.5 mm	697.5 mm	697.5 mm
2	598.5 mm	662.5 mm	697.5 mm	761.5 mm
3	662.5 mm	726.5 mm	761.5 mm	825.5 mm
4	726.5 mm	790.5 mm	825.5 mm	889.5 mm
5	790.5 mm	854.5 mm	889.5 mm	953.5 mm