

CONSTRUCTION

- Heavy-duty die-cast aluminum housing.
- Clean, smooth design blending harmoniously into outdoor environments.
- UV stabilized polyester powder paint finish for durability and corrosion resistance.
- Multiple Mounting options: Post top, side entry and cable suspending installation available.

OPTICAL SYSTEM

- Precision engineered individual lenses made of optical grade Mitsubishi polycarbonate for maximum light intensity, with Tempered Glass Cover to protect the optics.
- Micro-lens systems produce IESNA Type V distributions.
- Delivers improved visual comfort by lower glare and providing a wider smoother and more uniform light output.
- Optical systems maintain an IP65 rating.
- Available in 3000K, 4000K, 5000K, 5700K, 6500K CCT.
- Cutoff classification: Cutoff, no uplight pollution.
- Minimum CRI of 70, 80, and 90 optional.

ELECTRICAL

- 1-10V/ PMW/ Timer dimming, 3 Timer Modes, Dim-to-Off with Standby Power $\leq 0.5W$.
- Constant current Inventronics driver (For North America) or Meanwell driver (For Europe), 100-277Vac, 50-60Hz.
- High efficiency driver: up to 93.5%, minimum efficiency 87.5%.

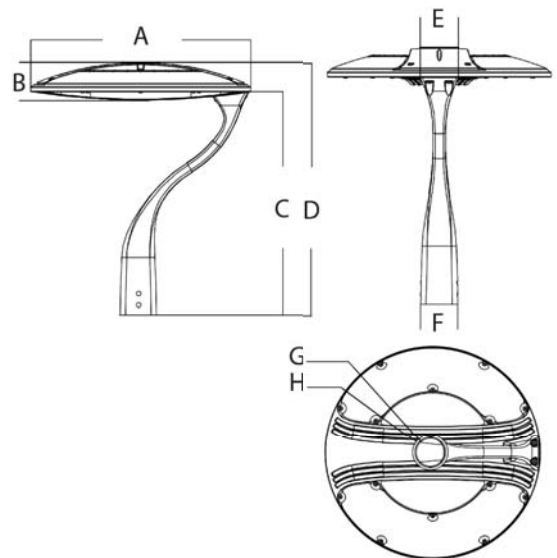
FINISH

- Rugged, weather-tight design and 3G Vibration ratings ensure durability even in harsh environments.

up to 145lm/w



FIXTURE DIMENSIONS



A	B	C	D
ϕ 460mm/18.11"	80mm/3.15"	468mm/18.44"	530mm/20.86"
E	F	G	H
78mm/3.08"	76mm/2.99"	ϕ 66mm/2.6"	ϕ 76mm/2.99"

ORDERING INFORMATION

DRA	WATTS	VOLTAGE	LED CHIPS	TYPE OF SENSOR	CCT&CRI	DISTRIBUTION	HOUSING	OPTIONS
	25	NV=100-277V	L3=LUXEON3030	00=Without Sensor	3070=3000K 70CRI	T5=Type V	SG=SILVER GRAY	10KV SPD
	50			SN=Sensor	4070=4000K 70CRI			20KV SPD
	75			PH=Photocell	5070=5000K 70CRI			R3= 3 Pin Receptacle
	120			DV=Dimmable	5770=5700K 70CRI			R7= 7 Pin Receptacle
					3080=3000K 80CRI			
					4080=4000K 80CRI			
					5080=5000K 80CRI			
					5780=5700K 80CRI			

FOR NORTH AMERICAN MARKET

MODEL	Replace MHL Up To	WATTS	INITIAL DELIVERED LUMENS	DISTRIBUTION TYPE	IP & IK	NW	Certificates & Listing
DRA-50	150W	50W	6750LM	Type V	IP65&IK08	19.6lbs (8.9kg)	UL cUL DLC premium
DRA-75	200W	75W	9750LM	Type V	IP65&IK08	21.8lbs (9.9kg)	
DRA-120	350W	120W	15000LM	Type V	IP65&IK08	22.5lbs (10.2kg)	

FOR EUROPEAN MARKET

MODEL	Replace MHL Up To	WATTS	INITIAL DELIVERED LUMENS	DISTRIBUTION TYPE	IP & IK	NW	Certificates & Listing
DRA-25	75W	25W	3625LM	Type V	IP65&IK08	19.6lbs (8.9kg)	ENEC CB CE RoHS
DRA-50	150W	50W	6750LM	Type V	IP65&IK08	19.6lbs (8.9kg)	
DRA-75	200W	75W	9750LM	Type V	IP65&IK08	21.8lbs (9.9kg)	
DRA-120	350W	120W	15000LM	Type V	IP65&IK08	22.5lbs (10.2kg)	

INSTALLATION OPTIONS

CABLE SUSPENDED



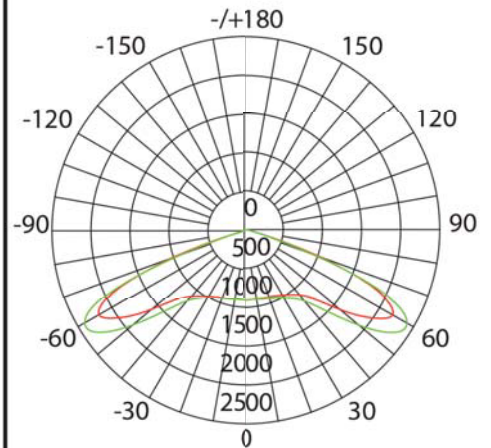
SIDE ENTRY



POST TOP



PHOTOMETRY



AVERAGE BEAM ANGLE(50%):145.2 DEG

UNIT:cd

— C0/180 Ic:905.3 — C90/270 Ic:905.3
73.0,73.0 72.2,72.2

All published Luminaire photometric testing performed to IESNA LM-79-08 standards by a NVLAP accredited Laboratory.