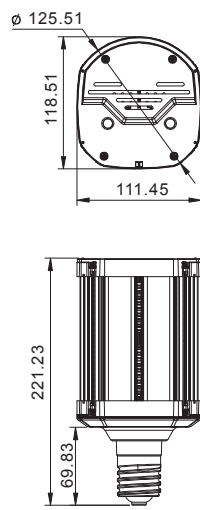
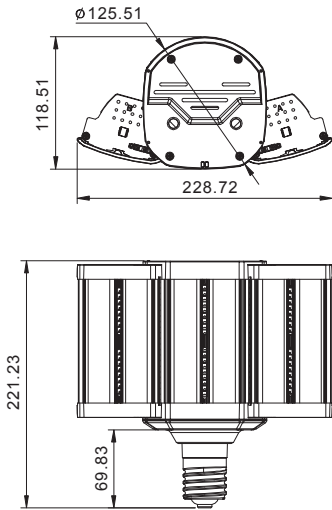
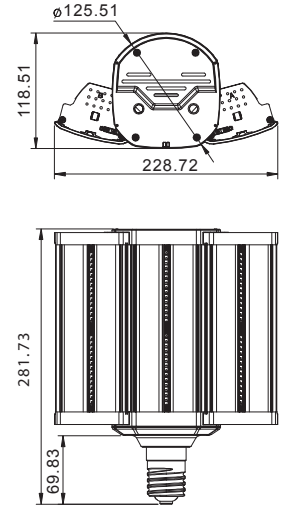
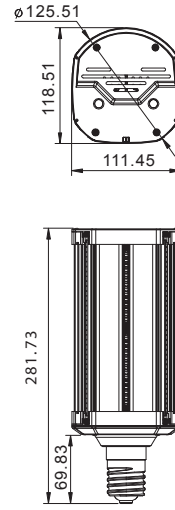


80W

110W



Unit: mm



Unit: mm

Specifications

Power	led Qty	PF	CRI	Voltage	CCT	Lumen	Size mm (x 0.0039=inch)	Operation temp (°C/°F)	Weight (lbs=kg/2.2)	Certificate	Equal to
80W	120 leds LG3030	≥0.9	≥80	100-277VAC 50-60Hz	3000-6000K	9600±100lm	E39 Φ111*221mm	minus 40~60°C	NW 1.22kg	CE ROHS UL DLC4.0 CUL Lm79 Tm21	250w HPS HQL
								minus 40~140°F	GW 1.53kg		
110W	168 leds LG3030	≥0.9	≥80	100-277VAC 50-60Hz	3000-6000K	13200±100lm	E39 Φ111*281mm	minus 40~60°C	NW 1.62kg	CE ROHS UL DLC4.0 CUL Lm79 Tm21	400w HPS HQL
								minus 40~140°F	GW 1.96kg		

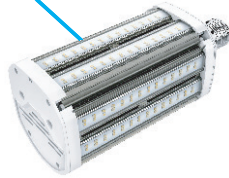
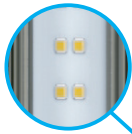
Features



REPLACE



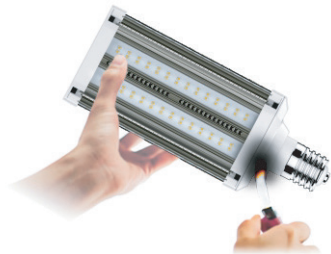
LG3030 120lm/w



180° beam angle



Flame retardant material

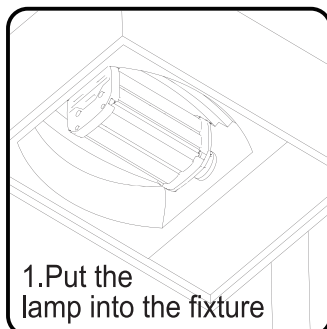


IP64 waterproof design

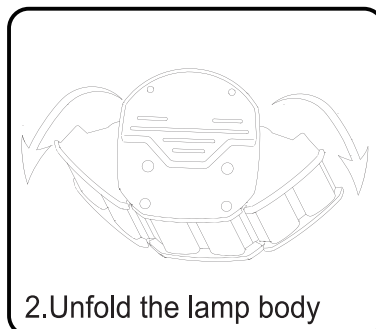


⚠ WARNING: THE LAMP BODY MUST BE EXTENDED WITH 2 SIDES TO LIGHT UP !

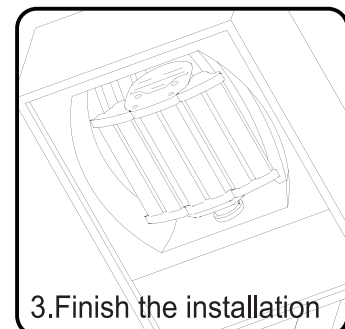
CAUTION: RISK OF ELECTRIC SHOCK-DO NOT USE WHERE DIRECTLY EXPOSED TO WATER. DO NOT USE WITH DIMMERS, FOR USE IN TOTALLY ENCLOSED RECESSED FIXTURES.



1. Put the lamp into the fixture



2. Unfold the lamp body



3. Finish the installation



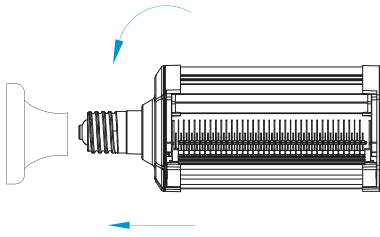
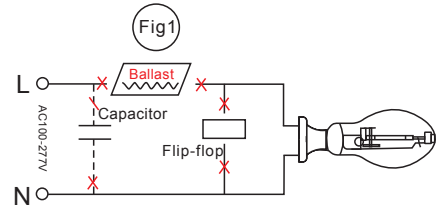
PARKING LOT



Installation

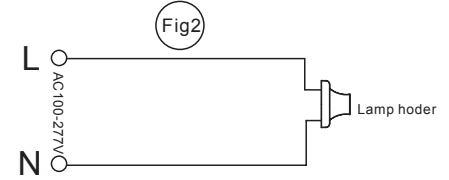
Step:1

Shown as Figure 1
Remove old ballast or disconnect from existing lamp holder. Remove and dispose of ballast in correct manner.



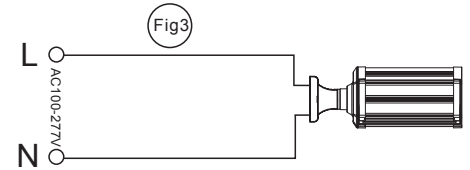
Step:2

Shown as Figure 2
Reconnect directly to the existing lamp holder.



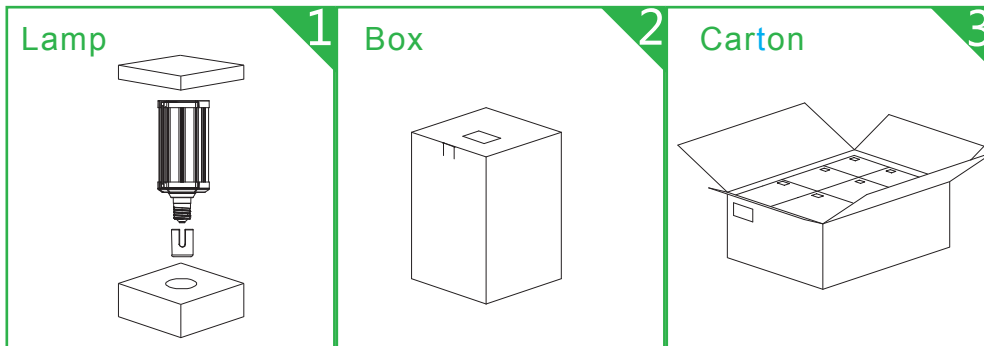
Step:3

Shown as Figure 3
Install new LED replacement lamp. Please make sure the old fitting is correctly earth.



Packing

Wattage	Inner box size	N. W per lamp	G. W per box (lbs=KG x 2. 2)	G. W per Carton (lbs=KG x 2. 2)	Carton Size	Quantity Per Carton
80W	262x145x164mm	1.22kgs	1.53kgs	9.85kgs	445x277x345mm	6PCS
110W	322x145x164mm	1.62kgs	1.96kgs	12.51kgs	445x337x345mm	



Pack Quantity:
6PCS



⚠ CAUTIONS

- Risk of electric shock. Do not use where directly exposed to water.
- Do not use with dimmers.
- 80w, 110w, suitable for use in totally enclosed fixtures.
- Don't take apart the lamps without our permit.
- Please read carefully manual before installation.