

Project:	
Type:	
Catalog #:	



IP66



FEATURES AND BENEFITS

1. Energy saving. Reduce the number of luminaires needed.
2. Anti-glare, reduces glare in applications where the user may have direct visual contact with the light source.
3. Shock and vibration-resistant tempered glass, reduces the risk of premature failure.
4. High efficacy lumen output and high CRI.
5. High efficiency LED Driver, designed to provide reliable operation in even harshest environment.
6. High strength aluminum alloy housing, can endure 20J impact. IP66, can be used in wet locations, robust construction suitable corrosive applications.
7. Adjusting plate, customer can adjust different angles.
8. 80W, 120W, 150W, 200W, 240W available. Optional luminous intensity distribution for different applications.
9. Ambient temperature from -40°C to 45°C.
10. Life span > 50,000 hours.
11. Surge protection: 5KV.

Application:

Typical applications include gas station, manufacturing plants, and certain chemical and petrochemical processing facilities, sewage treatment plants, off-shore and dockside installations, garages and storage facilities.

Executive Standard:

- UL 1598
- UL 1598A
- UL 844
- CSA C22.2 No. 250.0
- CSA C22.2 No. 137

Certifications & Ratings:

- UL Compliant
- CUL Compliant
- ABS Compliant
- CE Compliant
- RoHS Compliant
- IP 66

Division:

- Min 90 C Supply Conductors
- Class I Division 2, Groups A, B, C, D
- UL 1598A
- UL 1598

ORDERING INFORMATION

MODEL	WATTAGE		CCT		DISTRIBUTION	HOUSING		MOUNTING OPTIONS*		
CON = Hazardous Location Flood	A	80W	3K	2700K~3300K	A	H1V1 (15°)	GY	Gray	PC	Pipe Clamp
	B	120W	4K	3700K~4300K	B	H3V3 (40°)	OR	Orange	WM	Wall Mount
	C	150W	5K	5400K~6400K	C	H4V4 (60°)			SM	Stanchion Mount
	D	200W			D	H5V5 (80°)			CP	Clamp Mount
	E	240W			E	H6V6 (120°)			CE	Ceiling Mount
					F	FW (C0-180°; 120°; 90°-270°; 100°)			PM	Pendant Mount
					G	SL (C0-180°; 90°; 90-270°; 150°)				

*See page 5 for all accessories

The LED is clung to the enclosure, which can make the heat dissipation very fast Lower the junction temp..

External constant current driver, easier for maintenance and better for heat dissipation.

High efficacy and lumen output.

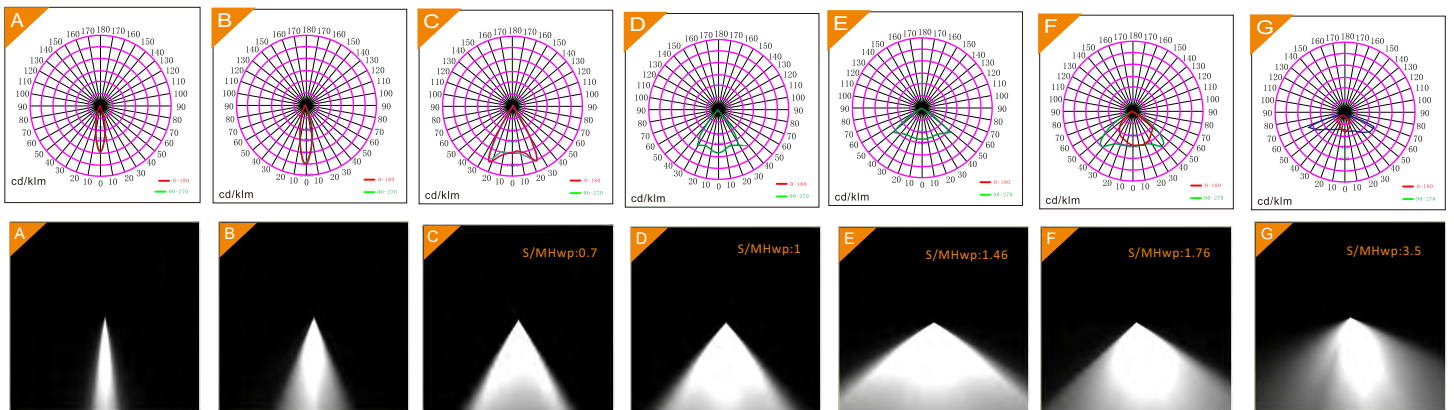
Explosion proof copper free aluminium alloy enclosure, high anti-impact performance can endure 20J impact.



Electrical Parameter

Product type	Rated input voltage(VAC)	Rated input voltage(VDC)	Rated input current(A)	Voltage frequency(Hz)	Rated power(W)	PF	THD
CON-A	/	141~392	0.57~0.2	/	80	/	<10%
CON-A	100~277	/	0.8~0.29	50/60	80	>0.98	<10%
CON-B	/	141~392	0.85~0.31	/	120	/	<10%
CON-B	100~277	/	1.2~0.43	50/60	120	>0.98	<10%
CON-C	/	141~392	1.06~0.38	/	150	/	<10%
CON-C	100~277	/	1.5~0.54	50/60	150	>0.98	<10%
CON-D	/	141~392	1.42~0.51	/	200	/	<10%
CON-D	100~277	/	2~0.72	50/60	200	>0.98	<10%
CON-E	/	141~392	1.7~0.61	/	240	/	<10%
CON-E	100~277	/	2.4~0.87	50/60	240	>0.98	<10%

Candela Distribution



Photometric Parameter

Product type	P/N	Color temp.	CCT(K)	CRI	Luminous Flux(lm)
CON-A	CON-A-3K	Warm white	2700~3300	82	10920
	CON-A-4K	Natural white	3700~4300	70	11760
	CON-A-5K	Cool white	5400~6400	70	11760
CON-B	CON-B-3K	Warm white	2700~3300	82	16380
	CON-B-4K	Natural white	3700~4300	70	17640
	CON-B-5K	Cool white	5400~6400	70	17640
CON-C	CON-C-3K	Warm white	2700~3300	82	21840
	CON-C-4K	Natural white	3700~4300	70	23520
	CON-C-5K	Cool white	5400~6400	70	23520
CON-D	CON-D-3K	Warm white	2700~3300	82	27300
	CON-D-4K	Natural white	3700~4300	70	29400
	CON-D-5K	Cool white	5400~6400	70	29400
CON-E	CON-E-3K	Warm white	2700~3300	82	32760
	CON-E-4K	Natural white	3700~4300	70	35280
	CON-E-5K	Cool white	5400~6400	70	35280

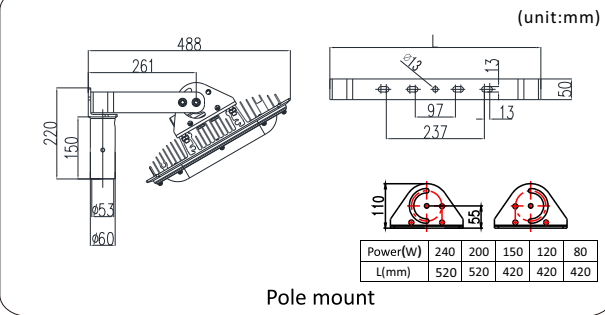
Other Parameters

Product type	Size(mm)	Weight (Kg)	Ambient temp(°C)	Max.surface temp. (test in 25°C)	IP code	Temp.classification	Insulation
CON-A	210*400*161	7.3	-40~+45	82	IP66	T4A	I
			-40~+50	82	IP66	T4A	
CON-B	260*400*161	11	-40~+45	93	IP66	T4A	I
			-40~+50	93	IP66	T4	
CON-C	260*400*161	11	-40~+45	94	IP66	T4A	I
			-40~+45	94	IP66	T4	
CON-D	500*400*161	18.4	-40~+40	97	IP66	T4A	I
			-40~+45	97	IP66	T4	
CON-E	500*400*161	18.4	-40~+40	98	IP66	T4A	I
			-40~+45	98	IP66	T4	

Type	Beam angle(°)	Candela distribution
H1V1	15	A
H3V3	40	B
H4V4	60	C
H5V5	80	D
H6V6	120	E
FW	C0-180°:120°;C90-2 70°:100°	F
SL	C0-180°:90°;C90-270°:150°	G

- Remarks:
- * Stands for Beam angle,including H1V1/H3V3 / H4V4 / H5V5 / H6V6 / FW/ SL;
 - For Beam angle H1V1,H3V3,H4V4 and H5V5,the luminous flux will be 15% less;
For Beam angle FW and SL,the luminous flux will be 30% less.
 - SL Beam angle is only applicable for 80W&120W.

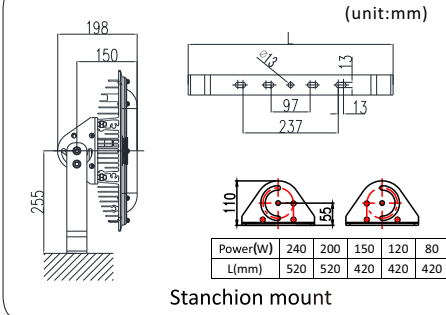
Installation Method



(unit:mm)

Power(W)	240	200	150	120	80
L(mm)	520	520	420	420	420

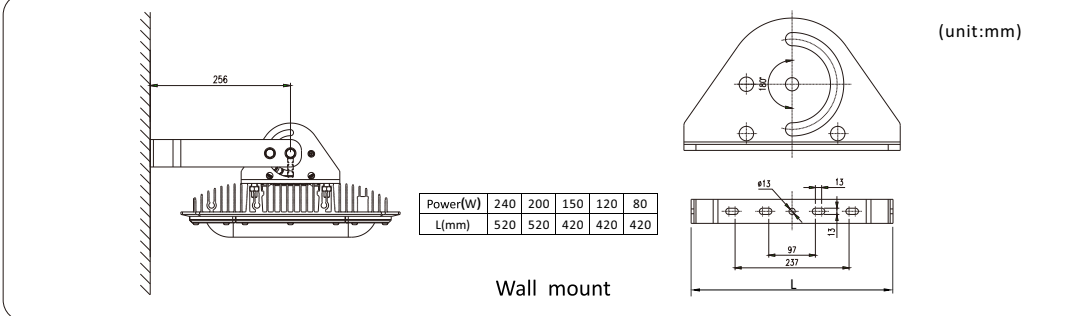
Pole mount



(unit:mm)

Power(W)	240	200	150	120	80
L(mm)	520	520	420	420	420

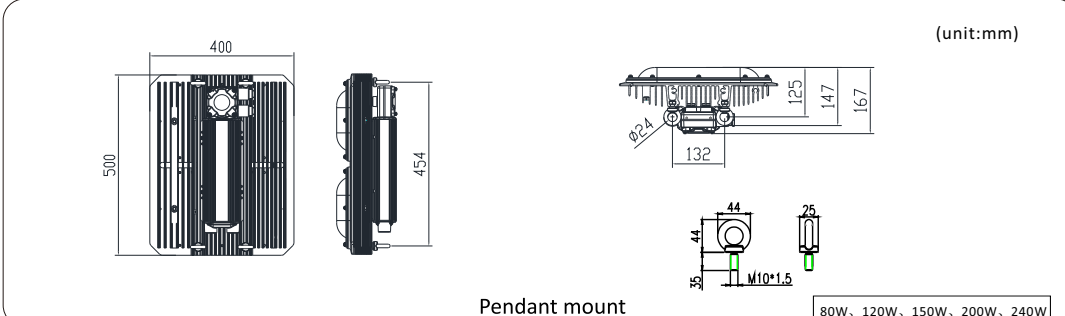
Stanchion mount



(unit:mm)

Power(W)	240	200	150	120	80
L(mm)	520	520	420	420	420

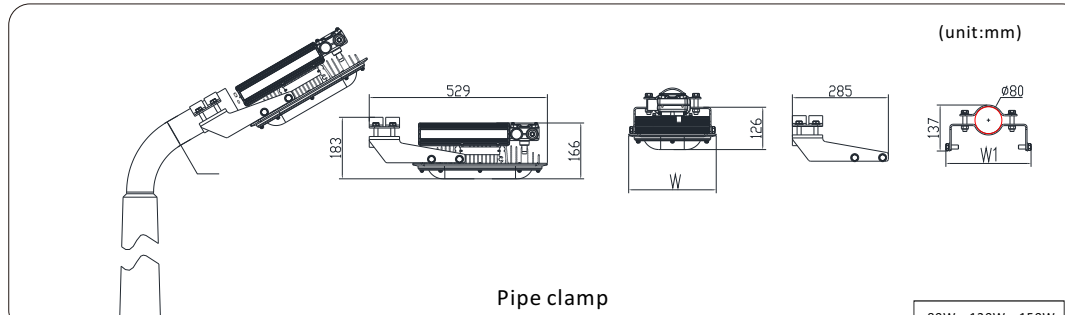
Wall mount



(unit:mm)

Power(W)	80W, 120W, 150W, 200W, 240W
----------	-----------------------------

Pendant mount

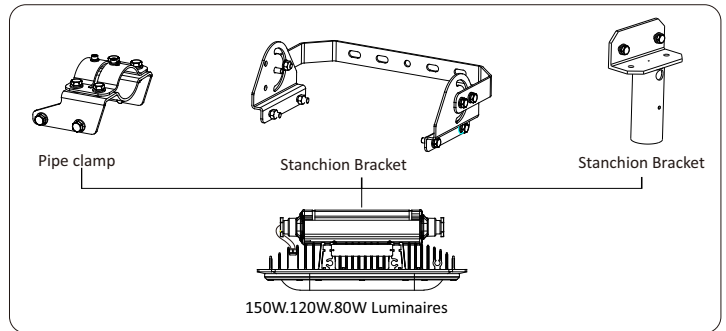
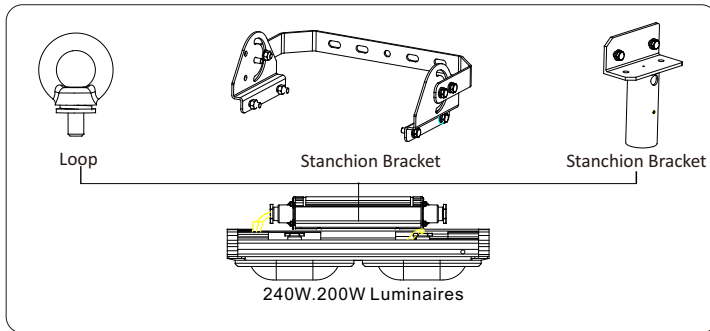


(unit:mm)

Power(W)	80W, 120W, 150W
----------	-----------------

Pipe clamp

Optional Accessories



No.	Installation accessories	Part No.	Picture	Material	Weight(Kg)	QTY	Remarks(Apply to)
1	Pipe clamp	CON-PC-80 (80W)		Q235	2.1	1	Pipe clamp
2	Pipe clamp	CON-PC-120/150 (120W/150W)		Q235	2.3	1	Pipe clamp
3	Loop	CON-PM (80W/120W/150W /200W/240W)		45#	0.2	4	Pendant mount
4	Stanchion Bracket-1	CON-SM1-80/120/150 (80W/120W/150W)		Q235	4	1	Wall mount Stanchion mount
5	Stanchion Bracket-1	CON-SM1-200/240 (200W/240W)		Q235	4.2	1	Wall mount Stanchion mount
6	Stanchion Bracket-2	CON-SM2-80/120/150 (80W/120W/150W)	 + 	Q235	5.63	1	Pole mount
7	Stanchion Bracket-2	CON-SM2-200/240 (200W/240W)	 + 	Q235	5.83	1	Pole mount
8	Guard-1	CON-WG1-80 (80W)		SUS304	0.3	1	/
9	Guard-2	CON-WG2-120/150 (120W/150W)		SUS304	0.35	1	/
		CON-WG2-200/240 (200W/240W)			0.7	1	

Dimensions

