

ASTEROID SERIES

C1D2 HAZARDOUS LOCATION LINEAR



Project:	
Type:	
Catalog #:	



PRODUCT DESCRIPTION

- Available from 30W (≥3,600lm) to 75W (≥9,000lm)
- Offered with four mounting options: ceiling mount, pendant mount, pendant chain mount, wall mount, or pole mount
- Wide optics for uniform illumination
- Entry size: 3/4"-14 NPT or M25 X 1.5 or M26 X 1.5
- 50,000+ hours LED lifespan
- Class I Division 2, Groups A, B, C, and D
- Damp and wet locations
- Standard: US: UL 844; UL 1598 / Canada: CSA C22.2 No. 137; CSA C22.2 No. 250.0
- Marine Rated Option UL1598

APPLICATIONS

- Wastewater treatment plants
- Oil and gas refineries
- Drilling rigs
- Petrochemical facilities
- Food and beverage facilities
- Tunnels
- Outdoor wall/stanchion mounted general area lighting
- Wherever flammable vapors and/or gases are present

PERFORMANCE

Product	AST4-(40W~75W)	AST2-(30W~50W)
Type	LED Explosion proof Linear Light	
Mounting	Ceiling, Pendant, Pendant Chain, Wall, Pole	
Power (W)	40W 50W 60W 65W 75W	30W 40W 50W
Voltage - Frequency	100-277Vac 50-60Hz	
CCT	Provides 3000K to 6500K	
CRI (Ra) (typ.)	≥70	
Luminous Flux (lm)	120~140lm/W (3,600lm - 9,000lm)	
Bare Lamp efficacy (LPW)	140	
Beam Angle	120°	
Power Factor	>0.95	
Rated Lifetime - L70	50,000hr	
Product Size (L×W×H)	1229×125×88.7 mm (48.4×4.9×3.5")	629×125×88.7 mm (24.8×4.9×3.5")
Housing	ADC12 and 6063 Aluminum+PC	

ORDERING INFORMATION

MODEL	WATTAGE	CCT	HOUSING	OPTIONS	Cable Feed
AST2 2FT 30-50W max	A 30W	3K 3000K	GY Gray	CLM Ceiling Mount	S = Single End
	B 40W	4K 4000K		PNM Pendant Mount	
	C 50W	5K 5000K		PNC Pendant Chain	D = Double End Linkable
	D 60W	6K 6000K		WLM Wall Mount	DE= Linkable End Cap
AST4 4FT 40-75W max	E 65W	65K 6500K	PLM Pole Mount		
	F 75W		EM Battery back up		
			34 3/4" NPT		
			M25 M25x1.5		
		M26 M26x1.5			
		MR Marine Rated			

SPECIFICATIONS

UL:
Suitable for wet locations
Operating temperature: -40°C to +55°C (-40°F to 131°F)

LEDs:
Long-life, high-efficiency, surface mount LEDs

Drivers(s):
Class 2, 50/60Hz, 100 - 277V, 4kV standard, 6kV optional surge protection

Lifespan:
50,000+ hours LED lifespan based on IES LM-80 results & TM-21 calculations at 25°C, and ERP>6000h

IP Rating:
IEC60598 Ingress Protection rating of IP66 for dust and water

Housing:
Die-cast aluminum housing ADC12+6063 aluminum alloy+PC cover

Mounting:
Ceiling Mounting, Pendant Mounting, Pendant Chain Mounting, Wall Mounting, Pole Mounting

Lens:
High transmittance tempered glass

Effective Projected Area:
EPA = 0.61

CCT:
Available in 3000K-6500K color temperature

CRI:
CRI ≥70

Beam angle:
The maximum luminous beam angle 120°

Color Stability:
LED color temperature is warranted to shift no more than 200K in CCT over a 5-years period

Color Uniformity:
FME's range of CCT (Correlated Color Temperature) follows the guidelines of the American National Standard for Specifications for the Chromaticity of Solid State Lighting (SSL) Products, ERP C78.377-2017.

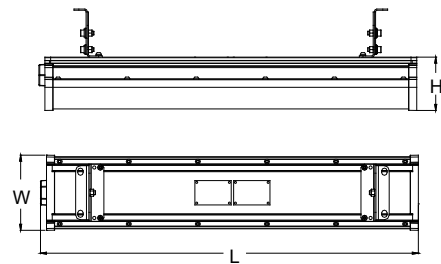
Finish:
Formulated for high durability and long-lasting color

Green Technology:
Mercury and UV free. RoHS-compliant components

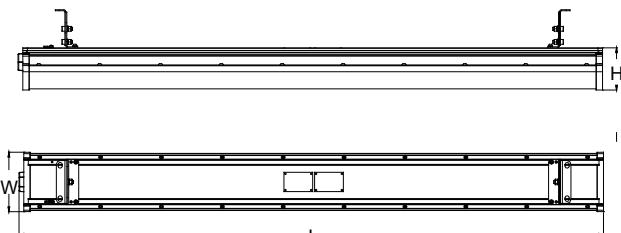
IESNA LM-79 Testing:
CESP LED luminaires have been tested by an independent laboratory in accordance with IESNALM-79 and IEC60598

DIMENSIONS

AST4-F	1229×125×88.7 mm/48.4×4.9×3.5"
AST4-E	1229×125×88.7 mm/48.4×4.9×3.5"
AST4-D	1229×125×88.7 mm/48.4×4.9×3.5"
AST4-C	1229×125×88.7 mm/48.4×4.9×3.5"
AST4-B	1229×125×88.7 mm/48.4×4.9×3.5"
AST2-C	629×125×88.7 mm/24.8×4.9×3.5"
AST2-B	629×125×88.7 mm/24.8×4.9×3.5"
AST2-A	629×125×88.7 mm/24.8×4.9×3.5"

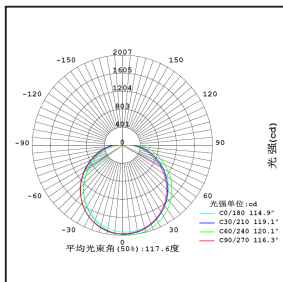


AST2-(30W~50W)

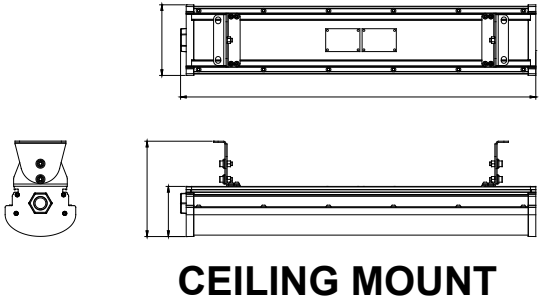


AST4-(40W~75W)

PHOTOMETRIC DATA (120°)



MOUNTING



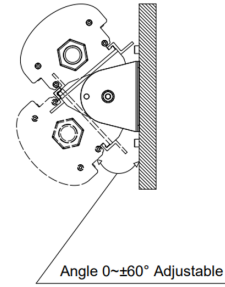
CEILING MOUNT



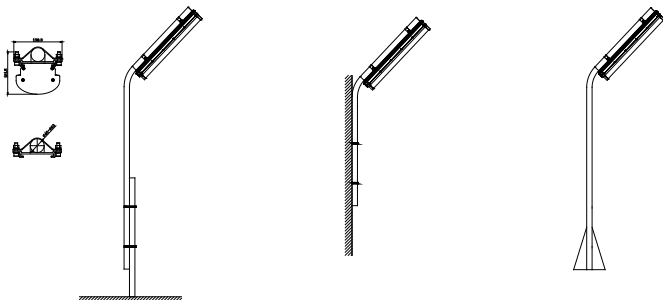
PENDANT MOUNT



PENDANT CHAIN



WALL MOUNT



POLE MOUNT