

Project:	
Type:	
Catalog #:	

FME Lighting | 877 - 234 - 8460 | info@fmelighting.com



### SPECIFICATIONS

#### Electric

Rated Power	80W / 100W / 150W / 200W
Input Voltage Input	AC100-277V, 347-480V
Frequency Power	50/60Hz
Factor	>0.95
Driver Efficiency	≥ 90%
DC output Ripple & Noise	<200mVP-P

#### Optical

Lumen Output	13,600lm ~ 34,000lm
Luminous Efficacy (Lumens per Watt)	170Lm/W
Beam Angle	T1/ T3 / T5
Correlated Color Temperature (CCT)	Amber 2700K, 3000K, 4000K, 5000K
CRI	Ra>70

#### Environmental

Ambient Operating Temperature	-40°C~+65°C (80W 100W 150W ) -40°C~+60°C (200W )
Ambient Operating Humidity	10%~90% RH
Atmospheric pressure	86~106KPa

#### Technical

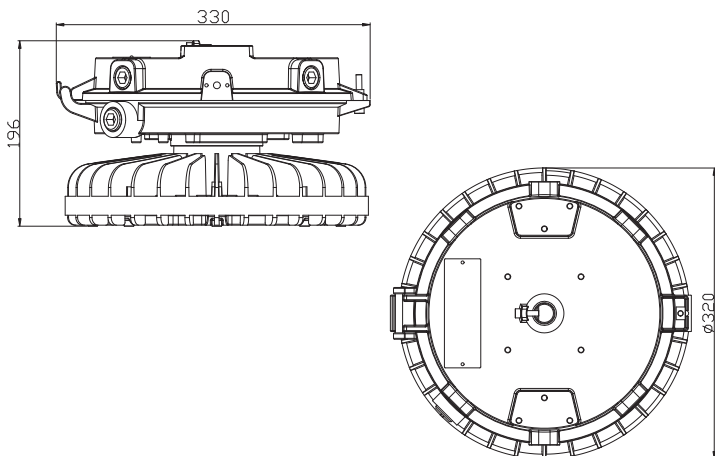
Lens Material	Glass / PC / Drop lens
Mounting Options	Pendant / Ceiling / Wall mount / Stanchion / U-Bracket
Cable Entries	3/4" NPT, 1" NPT, 1-1/4" NPT, 1-1/2" NPT
Net Weight	8kg

### WARRANTY

- 5-year limited system warranty
- Lumen Maintenance: 150,000hours @ L70

### DIMENSIONS

Dimensions in millimeters(mm)



### CERTIFICATIONS / RATINGS

#### NEC/CEC Standard

##### UL 844 Hazardous Locations

- Class I Division 2, Group A, B, C, D Class II Division 1, Group E, F, G
- Class II Division 2, Group F, G
- Class III
- Class I, Zone 2, Group IIC
- Zone 21, Zone 22

##### UL 1598 Wet Locations

UL 1598A Marine Outside Type (Salt Water)

##### UL 8750 LED Safety

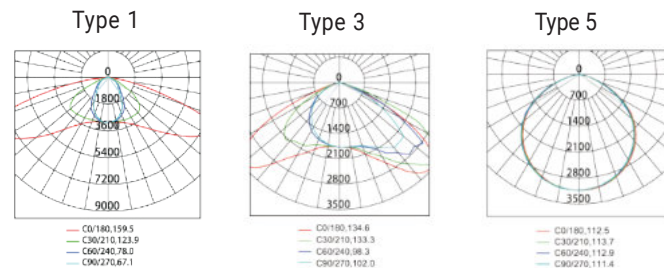
CSA C22.2 No.137-M1981

CSA C22.2 NO. 250.0

### KEY FEATURES & BENEFITS

- Easy Installation: Single barrel nut and hinge design, one-hand operation for quick and easy installation
- Designed for petro-chemical, oil / gas, mining, metal processing and other Hazardous environments.

### OPTICS



### ORDERING INFORMATION

#### ORDERING GUIDE

<input type="checkbox"/>	<input type="checkbox"/>	<input type="checkbox"/>	<input type="checkbox"/>	<input type="checkbox"/>
Series	Wattage	Voltage	CCT	Optics
CUX	8 = 80W 10 = 100W 15 = 150W 20 = 200W	LV1 = AC100-277V HV = AC347-480V	V = Adjustable (3000K/4000K/5000K) A = Amber 2700K S = 3000K I = 4000K C = 5000K	T1 - Type 1 T3 - Type 3 T5 - Type 5
<input type="checkbox"/>	<input type="checkbox"/>	<input type="checkbox"/>	<input type="checkbox"/>	<input type="checkbox"/>

#### Mounting

- PD1 = Pendant mount (3/4" NPT)
- PD2 = Pendant mount (1" NPT)
- TB = Trunnion bracket (3/4" NPT)
- WM9 = Wall mount 90°
- WM2 = Wall mount 25°
- 2SM1 = 25° Stanchion Mount (1-1/4" NPT)
- 2SM2 = 25° Stanchion Mount (1-1/2" NPT)
- 9SM1 = 90° Stanchion Mount (1-1/4" NPT)
- 9SM2 = 90° Stanchion Mount (1-1/2" NPT)
- CM = Flush Ceiling Mount

#### Lens

- TG = Transparent glass
- FG = Frosted glass
- FDG = Frosted drop lens
- TPC = Transparent PC
- FPC = Frosted PC

#### Accessory

- WGR1 = Wire guard for flat lens
- WGR2 = Wire guard for drop lens
- SC = Safety cable
- TPC = Transparent PC
- B09 = Bolt-on visor 90°
- SP1 = 10KV surge protector (100-277V): Standard
- SP2 = 10KV surge protector (347-480V): Standard
- SP3 = 20KV surge protector (100-277V)
- SP4 = 20KV surge protector (347-480V)
- PC1 = Pipe clamp (M8\*48mm) for pole 1 7/8" (48mm)
- PC2 = Pipe clamp (M8\*60mm) for pole 2 3/8" (60mm)
- CAB = 3' SE00W-18/3 Cord
- NPT = 3/4" NPT: Pedant

### Mounting Options



**PD1**  
Colgante  
3/4" NPT (Standard)

**PD2**  
Colgante  
1" NPT (Standard)



**9SM1**  
Stanchion mount 90°,  
1-1/4"NPT

**9SM2**  
Stanchion mount 90°,  
1-1/2"NPT



**TB**  
Trunnion Bracket  
3/4" NPT



**2SM1**  
Stanchion mount 25°,  
1-1/4"NPT

**2SM2**  
Stanchion mount 25°,  
1-1/2"NPT



**WM9**  
Wall mount 90°  
3/4" NPT



**WM2**  
Wall mount 25°  
3/4" NPT



**CM**  
Flush Ceiling Mount

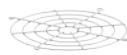
### Accessories



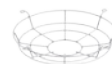
**TB**  
Trunnion Bracket  
3/4" NPT



**CM**  
Flush ceiling mount kit  
1pair



**WGR1**  
Bolt-on wire guard  
for Flat Glass



**WGR2**  
Bolt-on wire guard  
for Drop Lens



**PC1**  
Pipe clamp  
(M8\*48mm)  
for pole  $\Phi$  17/8"



**PC2**  
Pipe clamp  
(M8\*60mm)  
for pole  $\Phi$  2 3/8"



**B02**  
Dark sky bolt-on visor  
25°



**B09**  
Dark sky bolt-on visor  
25°



**NPT**  
Cable gland  
3/4" NPT  
Suitable for C1D2



**CAB**  
3' SE00W-18/3 Cord  
(Factory installed)



**SC**  
Stainless steel  
safety cable



10KV Surge Protector  
\*Standard



20KV Surge Protector

**SP3**  
20KV (100-277V)

**SP4**  
20KV (347-480V)

**SP1**  
10KV (100-277V)

**SP2**  
10KV (347-480V)