

ERI (ERIS) Series High Temperature Hazardous Location Lighting



Project:	
Type:	
Catalog #:	

FME Lighting | 877 - 234 - 8460 | info@fmelighting.com



SPECIFICATIONS

VOLTAGE	120vAC / 277vAC / 480vAC
WATTAGE	40W
COLOR TEMP	3000 / 5000 Kelvin
HOUSING	Coated copper free aluminum alloy
COLOR	Gray
LENS	Flat Tempered Glass
LIFETIME	60,000 hrs L70
CRI	≥ 80 (3000K) / ≥70 (5000K)
BEAM ANGLES	X-105° / Y-105°
POWER FACTOR	cos ≥ 0.9, cos ≥ 0.87 (480vAC)
PROTECTION	IP67 / NEMA 6
DIMMING	None Dimming
WARRANTY	5 Year Limited Warranty (See high ambient temperature applications for warranty exceptions)

CERTIFICATIONS / RATINGS

- Class I, Div 2, Groups A, B, C, D
- UL 844
- UL 1598 Luminaries
- UL 8750
- CSA C22.2 No. 137-M1981
- CSA C22.2 No. 250.0-08

CLASS / DIVISION / TEMPERATURE

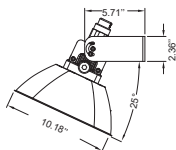
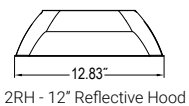
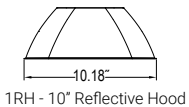
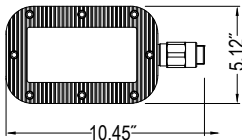
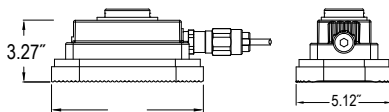
Models	Class/ Division	Ambient Temperature	T-Rating	IP Rating
ALL	Class I Division 2 Groups A, B, C, D	-40°C ~ +40°C (-40°F ~ +104°F)	T4	IP67

KEY FEATURES & BENEFITS

- Crush resistant with high impact resistance.
- Marine grade housing / salt water spray resistant.
- Atmospheric pressure tolerance up to 32.8 ft (10 m) depth.
- High-level protection with IP67 and NEMA 6 ratings, ideal for hazardous locations.

DIMENSIONS & WEIGHT

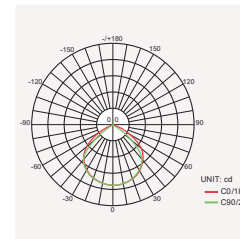
Configuration	lbs
Without Bracket	8.1 lbs
With Bracket	10.1 lbs



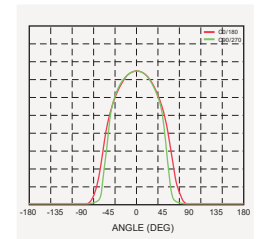
LUMENS & OPTICS

Kelvin	40W
3000K	3,800
5000K	4,000

Polar Luminous & Intensity Distribution



Luminous & Intensity Distribution Diagram



ORDERING INFORMATION

ORDERING GUIDE



Series	Voltage	CCT	Mounting	Accessory
ERI	LV1 = 120 VAC LV2 = 277 VAC HV1 = 480VAC	S = 3000K C = 5000K	2SM = 25° Stanchion Mount 9SM = 90° Stanchion Mount AB = Adjustable Bracket PM = Pedant Mount CM = Ceiling Mount	JB = Junction Box FC = Fluorocarbon Coating 1RH = 10" Reflective Hood 2RH = 12" Reflective Hood



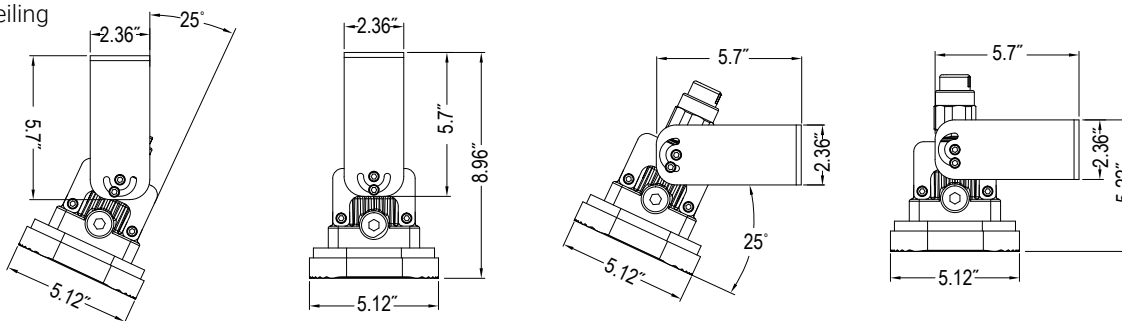
877- 234 - 8460 | info@fmelighting.com

Specifications and dimensions subject to change without notice.

MOUNTING OPTIONS

AB - Adjustable Bracket

Can be used for ceiling or wall mounting

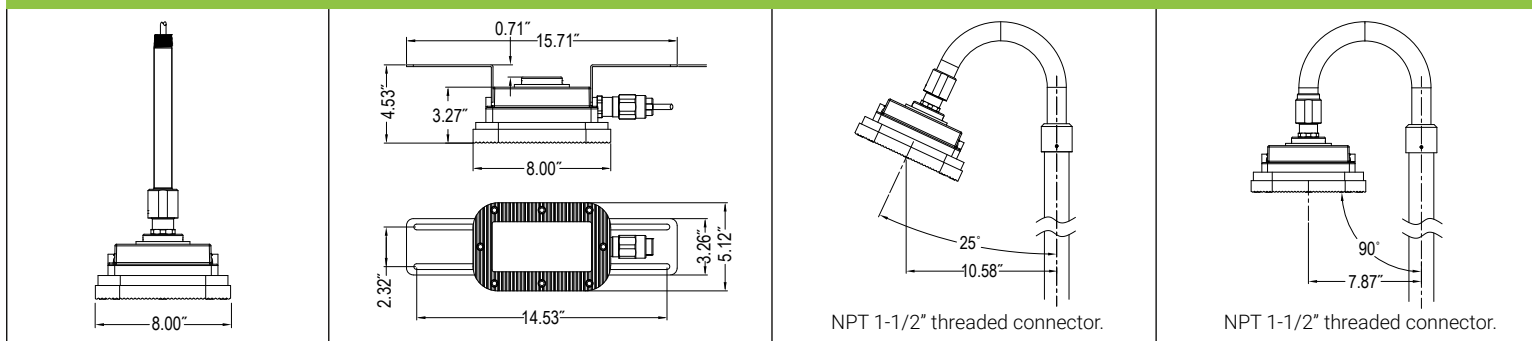


PM - Pendant Mount

CM - Ceiling Mount

2SM - 25° Pole Stanchion

9SM - 90° Pole Stanchion



HIGH AMBIENT TEMPERATURE APPLICATIONS

Non-Hazardous Location Applications - Temperature / Warranty Information

Some models of this light are rated for high ambient temperature operation in non-hazardous locations.

In hazardous locations, the lights **MUST** be operated within the UL rated temperature range detailed in the Class/Division/Temperature chart above.

Warranty limitations apply to high ambient temp. operation.

Models	Max Ambient Temp	Warranty
All Models	65°C (149°F)	5 Year Limited Warranty
All Models	85°C (185°F)	2 Year Limited Warranty



KEY FEATURES AND BENEFITS

The OPEB series junction box intend to be used or explosive atmospheres. For general wiring in hazardous locations. Copper free aluminum enclosure.

- Ex d type flameproof enclosure.
- Four types of enclosures available.
- The degree of protection is IP66.

SPECIFICATIONS

Model	Terminal Spec
OPEB	2.5mm ² / 24A
	2.5mm ² / 24A
	4mm ² / 27A

Number of Terminal Block	Cable Entry Spec	Cable Entry Amount
Max. 4	¾" NPT / M25x1.5	Max.5

- Certification For OPEB Series Junction Box**
- Class I, Division 1, Groups A, B, C and D
 - Class I, Division 2, Groups A, B, C and D
 - Class II, Division 1, Groups E, F and G
 - Class II, Division 2, Groups F and G
 - Class III

Rated Voltage Max.800VAC
Rated Current 24A, 32A, 41A

- Ambient Temperature**
- Type A, B, C, D, E, F: Threaded joints
 - Type KB1: Flanged and threaded joints

DIMENSIONS

