

Retrofit Styles



Project:	
Type:	
Catalog #:	

FME Lighting | 877 - 234 - 8460 | info@fmelighting.com

## CERTIFICATIONS / RATINGS



## CLASS / DIVISION

- Class I, Div 2, Groups A, B, C, D • Class III
- Class II, Div 2, Groups F, G

## KEY FEATURES AND BENEFITS

- Retrofit series, facilitating easy replacement of competitors fixtures.
- Designed for use environments such as oil refineries, painting facilities, and natural gas transportation.
- Compliant with a range of protection standards including UL 844, UL 1598 Luminaries, UL 8750 and more.
- 3/4" NPT pendant hub standard.
- IP67 rating.



## SPECIFICATIONS

<b>Voltage*</b>	24V / 120V / 277V / 480 VAC
<b>Wattage</b>	40W / 60W
<b>Color Temp</b>	3000 / 5000 Kelvin
<b>Housing</b>	Coated copper free aluminum alloy
<b>Color</b>	Dark Gray
<b>Lens</b>	Tempered Glass
<b>Lifetime</b>	60,000 hrs L70
<b>CRI</b>	≥ 80 (3000K) / ≥70 (5000K)
<b>Beam Angles</b>	X-110° / Y-110°
<b>Power Factor</b>	cos ≥ 0.9, cos ≥ 0.87 (480vAC)
<b>Protection</b>	IP67 / NEMA 6
<b>Dimming</b>	None Dimming
<b>Warranty</b>	5 Year Limited Warranty

## CLASS / DIVISION / TEMPERATURE

Models	Class/ Division	Ambient Temperature	T-Rating	IP Rating
KEL	Class I Division 2 Groups A, B, C, D	-40°C ~ +40°C (-40°F ~ +104°F)	T3C	IP67
	Class II Division 2 Groups E, F, G	+40°C (+104°F)	T4	IP67
	Class III	N/A	N/A	IP67

\*The KELT can be used in both CID1 and CID2 (but mounting boxes cannot be used in CID1), and suitable for 85C environments.

## VOLTAGE TYPE\* (AMPS)

	40W	60W
KEL-COB	24V: 1.67A, 120V: 0.33A, 277V: 0.14A, 480V: 0.08A	24V: 2.50A, 120V: 0.50A, 277V: 0.22A, 480V: 0.13A
KEL-SMD	120V: 0.33A, 277V: 0.14A	120V: 0.50A, 277V: 0.22A

(Watts of 24V are different, please contact us for details.)

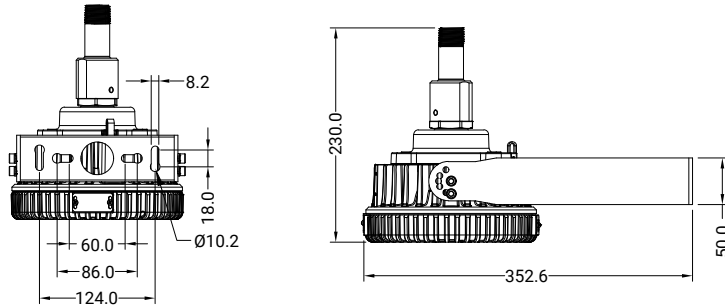
## LUMENS

Kelvin	40W	60W
3000K	3800	5700
5000K	4000	6000

### MOUNTING OPTIONS

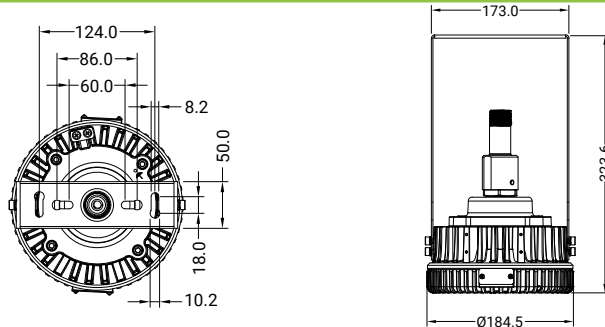
#### WM - Wall Mount

5.0 kg (11.0 lb)



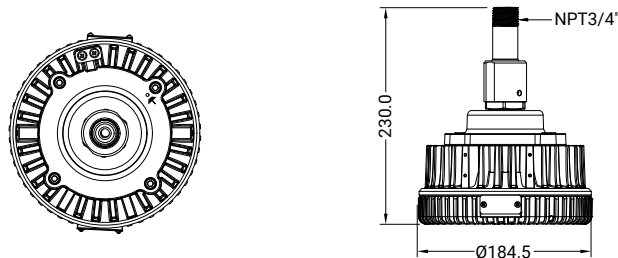
#### PM - Pedant Mount

5.0 kg (11.0 lb)



#### SE - Straight Electrical Tube

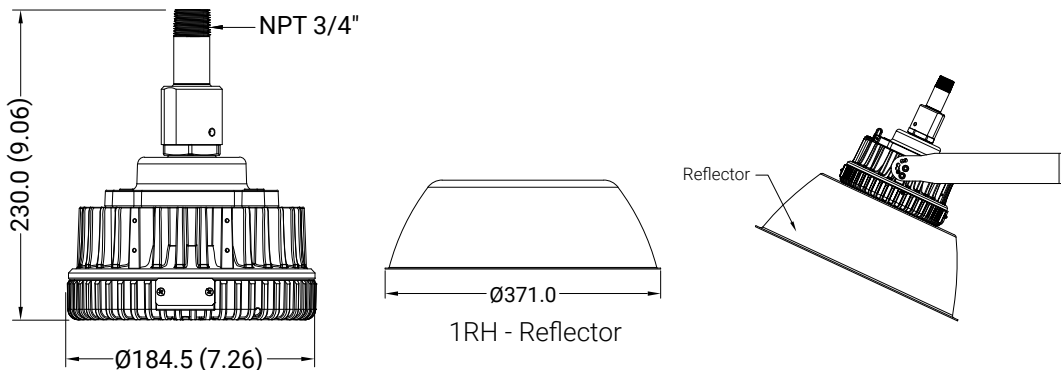
4.5 kg (9.9 lb)



### WEIGHTS AND DIMENSIONS

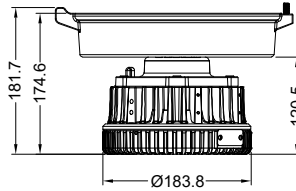
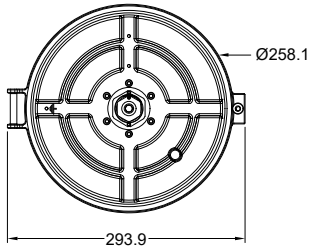
Configuration	lbs
Net Weight	9.9 lb (4.5 kg)

Dimension in Millimeters (inches)

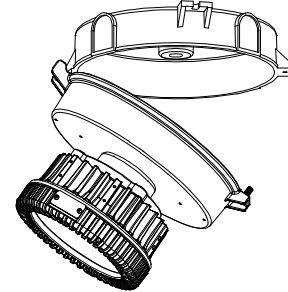


**Mounting Box Option & Dimensions** (All in mm)

**PNC - Retrofit Kit for Crouse**



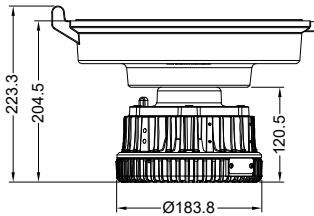
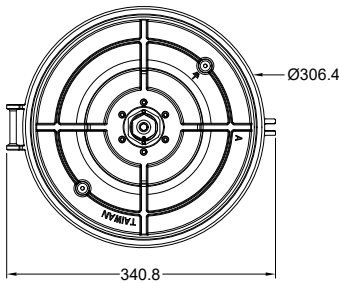
**Installation Diagram**



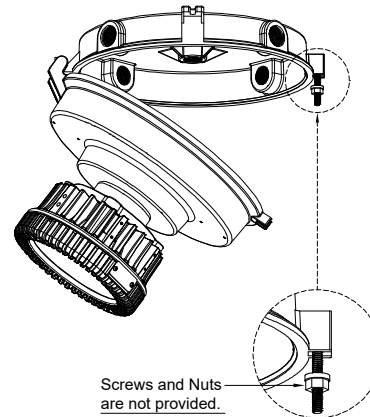
5.5 kg (12.1 lb)

\*Top hat is not included when, placing order for retrofit pan.

**PNA - Retrofit Kit for Appleton**



**Installation Diagram**

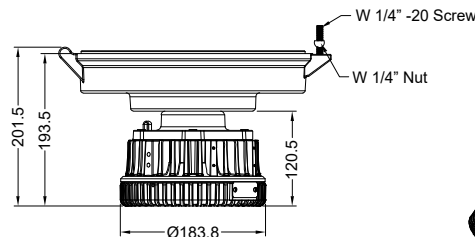
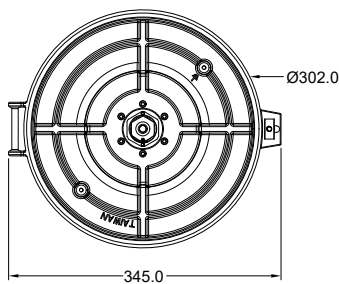


Screws and Nuts  
are not provided.

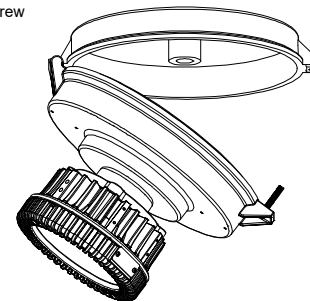
5.8 kg (12.8 lb)

\*Top hat is not included when, placing order for retrofit pan.

**PNK - Retrofit Kit for Killark/Hubbell**



**Installation Diagram**

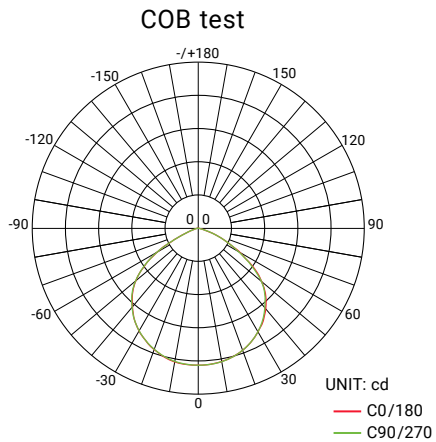


\*Top hat is not included when, placing order for retrofit pan.

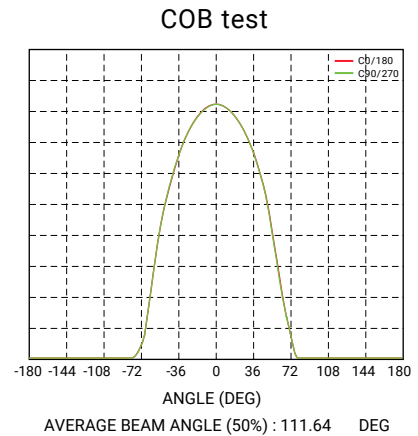
6.0 kg (13.2 lb)

### OPTICS REPORT LIGHT DISTRIBUTION

#### Polar Luminous & Intensity Distribution



#### Luminous & Intensity Distribution Diagram



#### LUMENS

Kelvin	40W	60W
3000K	3800	5700
5000K	4000	6000

## ORDERING INFORMATION

### ORDERING GUIDE

Series	Wattage	Voltage**	CCT	Mounting*	Accessory
KEL	4 = 40W 6 = 60W	COB SMD **Read Chart	S = 3000K C = 5000K	WM = Wall Mount PM = Pedant Mount SE = Straight Electrical Tube PNC = Mounting Box - Crouse PNA = Mounting Box - Appleton PNK = Mounting Box - Hubbell/Krillark PNH = Mounting Box - Holophane PND = Mounting Box - Dialight	JB = Junction Box NPT = 3/4" NPT: Pedant Standard 1RH = Reflective Hood

\* Prior to ordering, we suggest you try our sample mounting box, to ensure compatibility

#### VOLTAGE TYPE (AMPS)

	40W	60W
KEL-COB	24V: 1.67A, 120V: 0.33A, 277V: 0.14A, 480V: 0.08A	24V: 2.50A, 120V: 0.50A, 277V: 0.22A, 480V: 0.13A
KEL-SMD	120V: 0.33A, 277V: 0.14A	120V: 0.50A, 277V: 0.22A

(Watts of 24V are different, please contact us for details.)



## KEY FEATURES AND BENEFITS

The OPEB series junction box intend to be used or explosive atmospheres. For general wiring in hazardous locations. Copper free aluminum enclosure.

- Ex d type flameproof enclosure.
- Four types of enclosures available.
- The degree of protection is IP66.

## SPECIFICATIONS

Model	Terminal Spec
OPEB	2.5mm <sup>2</sup> / 24A
	2.5mm <sup>2</sup> / 24A
	4mm <sup>2</sup> / 27A

Number of Terminal Block	Cable Entry Spec	Cable Entry Amount
Max. 4	¾" NPT / M25x1.5	Max.5

- Certification For OPEB Series Junction Box**
- Class I, Division 1, Groups A, B, C and D
  - Class I, Division 2, Groups A, B, C and D
  - Class II, Division 1, Groups E, F and G
  - Class II, Division 2, Groups F and G
  - Class III

**Rated Voltage** Max.800VAC  
**Rated Current** 24A, 32A, 41A

- Ambient Temperature**
- Type A, B, C, D, E, F: Threaded joints
  - Type KB1: Flanged and threaded joints

## DIMENSIONS

