

|             |  |
|-------------|--|
| Project:    |  |
| Type:       |  |
| Catalog # : |  |

FME Lighting | 877 - 234 - 8460 | info@fmelighting.com



### SPECIFICATIONS

|                     |   |
|---------------------|---|
| COLOR TEMP          | 3000K/4000K/5000K Kelvin                    |
| HOUSING & HARDWARE  | • ADC12 Aluminum Alloy<br>• Stainless steel |
| LENS                | Tempered Glass                              |
| AMBIENT TEMP        | -40°C to +60°C                              |
| BEAM ANGLES         | 40°, 60°, 90° & 120°                        |
| LIFESPAN            | 50,000 hours lifespan                       |
| AMBIENT TEMPERATURE | -40°C to 60°C (-40°F to 140°F)              |
| PROTECTION          | IP67/IP66   IK09                            |
| WARRANTY            | 5 Year Limited Warranty                     |

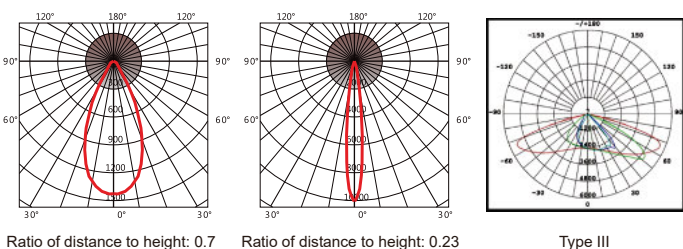
### CERTIFICATIONS / RATINGS

- Class I, Division 2 Groups A, B, C, D
- Class II, Division 1 Groups E, F, G
- Class II, Division 2 Groups F, G
- Class III
- UI1598
- UL1598A
- IP66/IP67
- IK09

### KEY FEATURES

- Ideal for a wide range of industries: oil and gas, chemical, marine, aerospace, metal treatment, food and alcohol, and more.
- Operates in extreme temperatures ranging from -40°C (-40°F) to 60°C (140°F).
- Waterproof and dust-proof design with IP66/IP67 rating eliminates the need for internal cleaning and maintenance.
- Simple structure facilitates easy and quick installation.
- Tailored for high humidity, high dust, high temperature, and vapor-rich environments.

### OPTICS



| Model | Wattage  | Operating Voltage                            | Total Lumens (lm) | Efficacy (lm/W) | CRI | Dimming        |
|-------|----------|--|-------------------|-----------------|-----|----------------|
| LFL-1 | 200-250W | AC90-305V/100-305V/277-480V/180-528V 50/60Hz | 24,000-35,000     | 120-140         | >70 | 0-10V dimmable |
| LFL-2 | 10-150W  | AC90-305V/100-305V/277-480V/180-528V 50/60Hz | 1,200-21,000      | 120-140         | >70 | 0-10V dimmable |
| LFL-3 | 10-150W  | AC90-305V/100-305V/277-480V 50/60Hz          | 1,200-21,000      | 120-140         | >70 | 0-10V dimmable |

### ORDERING INFORMATION

#### ORDERING GUIDE

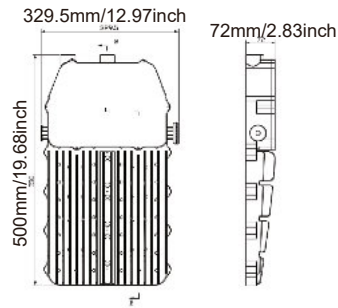
| Series | Version<br>(See Page 2 for Examples) | Wattage*   | Voltage*  | CCT                                 | Beam Angle                            | Dimming                                 | Mounting  | Accessory   |
|--------|--------------------------------------|--|---|-------------------------------------|---------------------------------------|---|---|---|
| LFL    | 1<br>2<br>3                          | A = 10-35W<br>B = 40-70W<br>C = 80-140W<br>D = 10-150W<br>E = 200-250W | V1 = 90-305 VAC<br>V2 = 100-305 VAC<br>V3 = 277-480 VAC<br>V4 = 180-528 VAC | S = 3000K<br>I = 4000K<br>C = 5000K | W = 40<br>X = 60<br>Y = 90<br>Z = 120 | D = 0-10V Dimmable<br>ND = None Dimming | TM = Trunnion mounting kit<br>SF = Slip fitter mounting kit<br>AMA = Adjustable Arm mounting kit A<br>AMB = Adjustable Arm mounting kit B | B1 = Hardware mounting bracket*<br>B2 = Light pole mounting bracket<br>H = Hoop**<br>AB = Adapter bracket |

\*Please Check Supported Voltage and Wattage range for Your Desired Version.

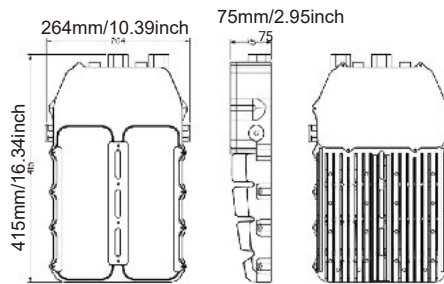
\*\*=LFL-1 & 2 Only  
\*\*=LFL-3 Only

### DIMENSIONS & PACKING:

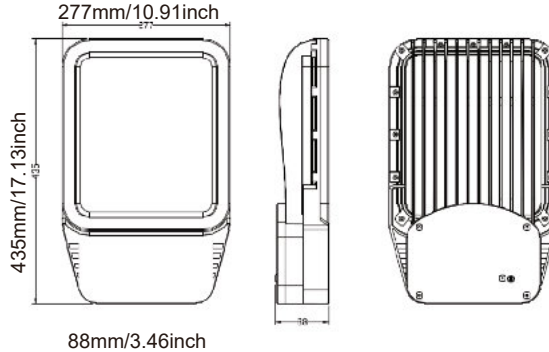
#### LFL-1



#### LFL-2



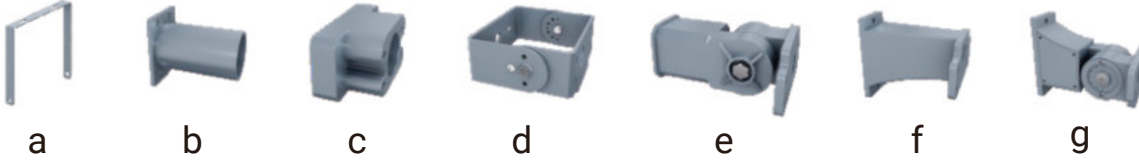
#### LFL-3



| Model | Packing Size     | Net Weight         | Gross Weight       |
|-------|------------------|--------------------|--------------------|
| LFL-1 | 19.7x13x2.8 inch | 9.5 kg / 20.94 lbs | 10.5 kg/ 23.15 lbs |
| LFL-2 | 16.3x10.4x3 inch | 6.5 kg / 14.33 lbs | 7.5 kg/ 16.53 lbs  |
| LFL-3 | 17.1x11x3.5 inch | 7.3 kg / 16.09 lbs | 8.3 kg/ 18.3 lbs   |

### ACCESSORIES & MOUNTING KITS:

#### LFL-1 & 2



- a. Hardware mounting bracket (B1)
- b. Light pole mounting bracket (B2)
- c. Adapter bracket (AB)

- d. Trunnion mounting kit (TM)
- e. Slip fitter mounting kit (SF)
- f. Arm mounting kit A (AMA)

- g. Adjustable arm mounting kit B (AM-B)

#### LFL-3



- a. Light pole mounting bracket (B2)
- b. Hoop (H)
- c. Adapter bracket (AB)

- d. Trunnion mounting kit (TM)
- e. Slip fitter mounting kit (SF)
- f. Arm mounting kit A (AMA)

- g. Adjustable arm mounting kit B (AMB)