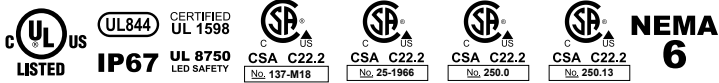


Project:	
Type:	
Catalog #:	

FME Lighting | 877 - 234 - 8460 | info@fmelighting.com



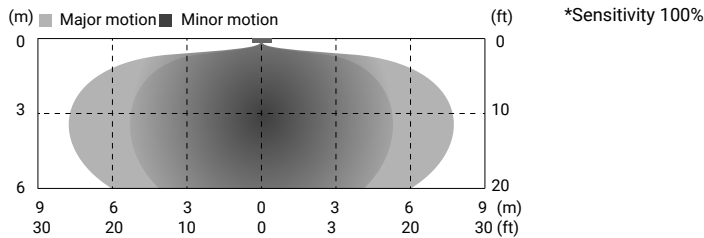
### SPECIFICATIONS

VOLTAGE	110 / 120 / 220 / 230 / 277V AC
WATTAGE	120W / 140W / 150W / 170W / 200W
COLOR TEMP	3000K & 5000K
HOUSING	Aluminum Alloy
COLOR	Gray
LENS	Tempered Glass
LIFETIME	60,000 hrs
CRI	≥ 80 (3000K) / ≥70 (5000K)
AMBIENT TEMPERATURE	-20°C ~ +55°C ,T4
POWER FACTOR	cos ≥ 0.9
PROTECTION	IP67 / NEMA 6
WEIGHT	28.7 lb (13 kg)
DIMMING	None Dimming
WARRANTY	5 Year Limited Warranty

### SENSORS

Occupancy Sensor - Detection pattern

MOUNTING HEIGHT	3m (10 ft)	6m (20 ft)
COVERAGE*	180m <sup>2</sup> (2,000 ft <sup>2</sup> )	100m <sup>2</sup> (1,200 ft <sup>2</sup> )



Daylight Sensor - Digital data control ambient light sensor

SENSING RANGE	Approx. 2~2,000 lux (0.2~200 fc)
FIELD OF VIEW	Approximate 80°

### CERTIFICATIONS / RATINGS

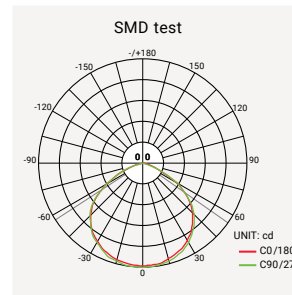
- Class I, Div 2, Groups A, B, C, D
- UL 844
- UL 1598 Luminaries
- UL 50
- UL 8750
- CSA C22.2 No. 137-18
- CSA C22.2 No. 250.0
- CSA C22.2 No. 250.13

### KEY FEATURES & BENEFITS

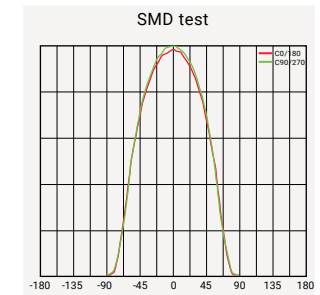
- Optional sensor device feature available, offering either daylight or occupancy sensor functionality.
- High-level protection with IP67 and NEMA 6 ratings, ideal for hazardous locations.
- 3/4" NPT pendant hub standard.

### LUMENS & OPTICS

Polar Luminous & Intensity Distribution



Luminous & Intensity Distribution Diagram



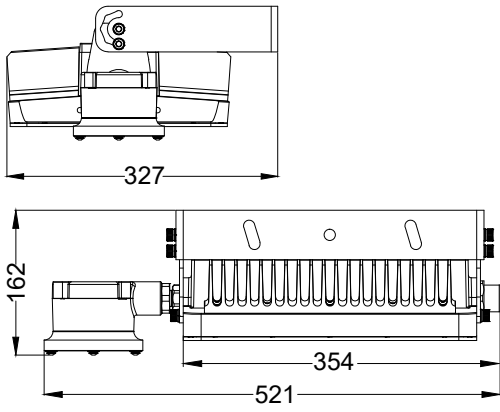
### ORDERING INFORMATION

#### ORDERING GUIDE

Series	Wattage	Voltage	CCT	Mounting	Sensor
NIX	12 = 120W 14 = 140W 15 = 150W 17 = 170W 20 = 200W	LV1 = 110 VAC LV2 = 120 VAC HV1 = 220 VAC HV2 = 230 VAC HV3 = 277 VAC	S = 3000K C = 5000K	WM = Wall Mount 90 HM = Hanging Mount 90 RM = Rotatable SL = Street Light	Y = With Sensor N = Without Sensor

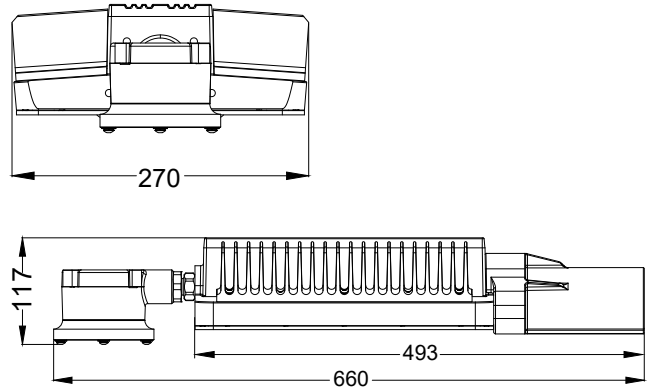
### MOUNTING OPTIONS - (All in mm)

WM - Wall Mount 90°



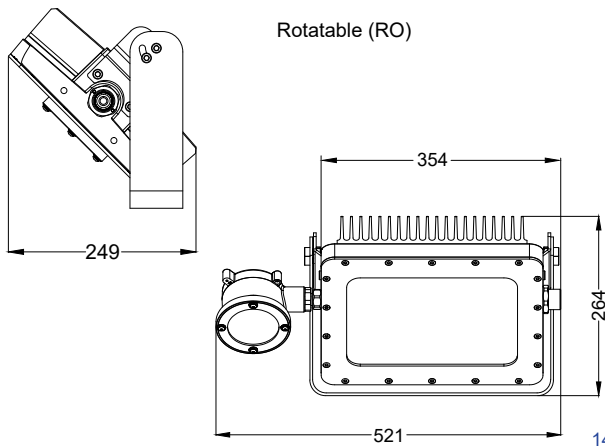
14.2 kg (31.3 lb)

SL - Street Light



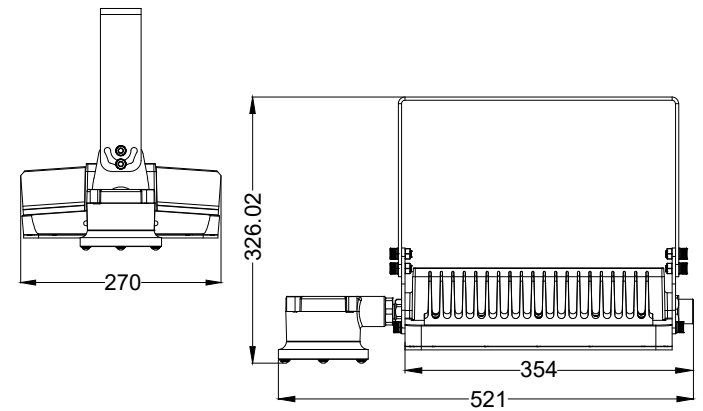
14.1 kg (31.1 lb)

RM - Rotatable Mount



14.2 kg (31.3 lb)

HM - Hanging Mount 90°



14.2 kg (31.3 lb)