

Project:	
Type:	
Catalog # :	

FME Lighting | 877 - 234 - 8460 | info@fmelighting.com



30W/45W/60W



30W/45W/60W

### SPECIFICATIONS

VOLTAGE	120-277V & 347V
WATTAGE	30W, 45W, 50W, 60W, 65W, 90W
COLOR TEMP	4000K, 5000K Kelvin
OPERATING TEMP	-40°C to 45°C (-40°F to 113°F).
LIGHT SOURCE TYPE	LED chips
HOUSING	Sealed die-casting profile
EMERGENCY BATTERY	900lm with 90 minutes
LED LIFESPAN	Minimum 50,000h
DIMMING	1-10V Dimming
WARRANTY	5 Year Limited Warranty

### CERTIFICATIONS

- UL/cUL wet location
- DLC premium qualified.
- UL-CA-L359489-31-32607102-5
- UL-US-L359489-11-32909102-5

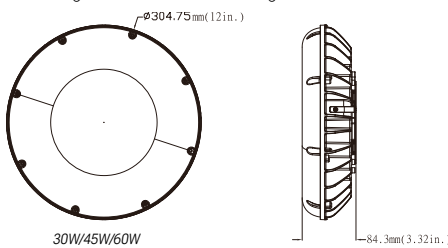
Contact factory for details.

### KEY FEATURES

- **Versatile Installation Options:** Features a sealed die-casting profile for both indoor and outdoor applications, along with mounting options for J-Box or pendant installations to support varied setups.
- **High Efficiency and Output:** Offers a lumen output ranging from 3500 to 12300lm with an efficacy of up to 137lm/W, replacing traditional 100W and 175W metal-halide lamps.
- **Enhanced Safety and Usability:** Includes an emergency battery that lasts for 90 minutes and a 1/2 inch threaded hole for easy wire connections during installation.
- **Customizable Lighting Solutions:** Provides optional Parking Garage or LowBay photometry, suitable for specific application needs. From retail, grocery, parking structures and walkways
- **Energy-Saving Features:** Equipped with a bi-level motion PIR sensor to increase energy savings and enhance security.

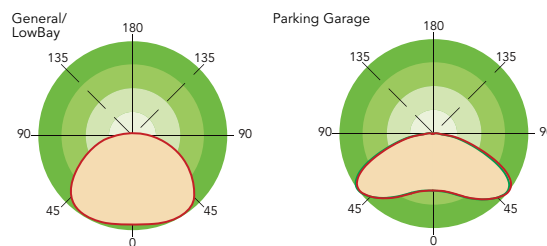
### DIMENSIONS

\*See Page 3 for Dimension Diagrams.



### LUMENS & OPTICS

\*See Page 2 for All Photometry & Lumen Charts



### ORDERING INFORMATION

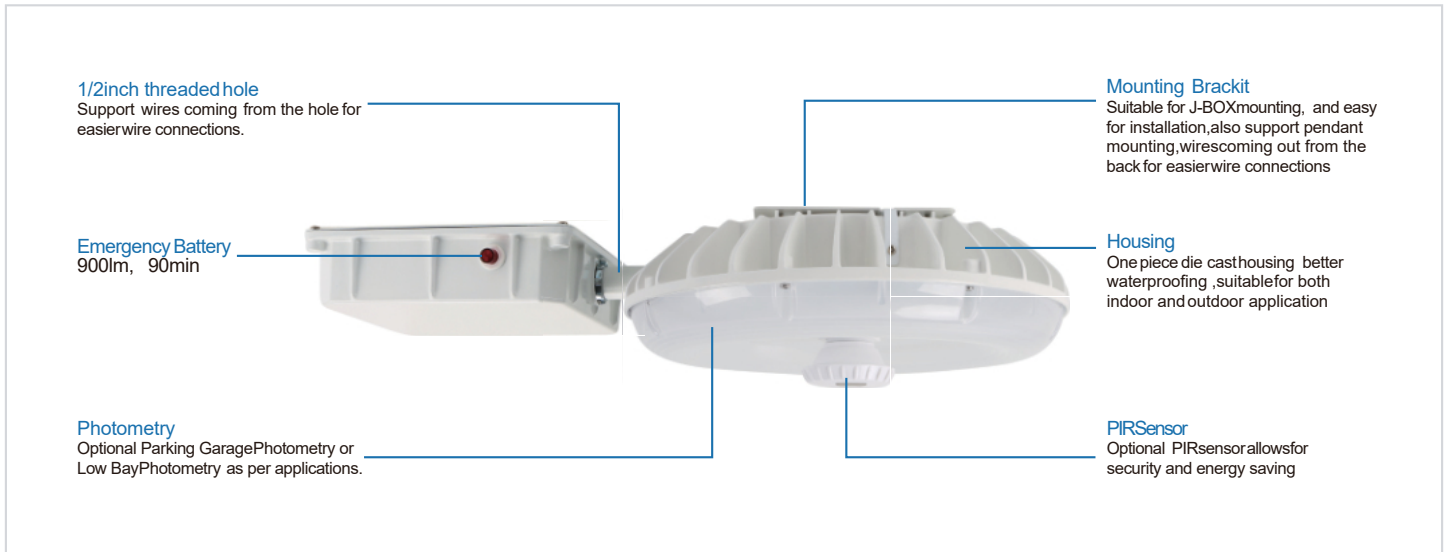
#### ORDERING GUIDE

Series	Wattage	Voltage	CCT	Finish	Dimming	Optic <small>See Chart Page 2</small>	Accessories
RPM	30 = 30W 45 = 45W <sup>1</sup> 50 = 50W <sup>1</sup> 60 = 60W 65 = 65W <sup>1</sup> 90 = 90W <sup>4</sup>	LV = 120-277V HV = 347V	I = 4000K C = 5000K	DB = Dark Bronze B = Black W = White	D = Dimming ND = None Dimming	P = Parking Garage L = Low Bay	BLANK EB = Emergency Battery <sup>3</sup> PS = PIR Sensor

Notes:

1. The watt is 45W when the voltage is 120-277V, while the voltage is 347V, the watt is 50W.
2. The watt is 65W when the voltage is 120-277V, while the voltage is 347V, the watt is 65W.
3. Optional emergency battery only for 45W.
4. 90W is only for 120-277V and only has Parking Garage photometry.

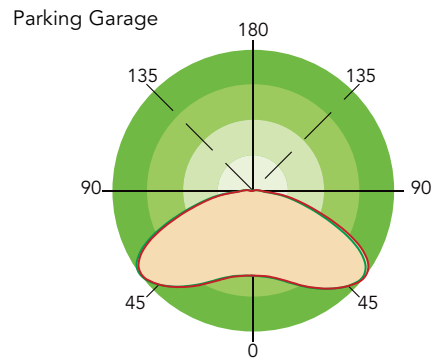
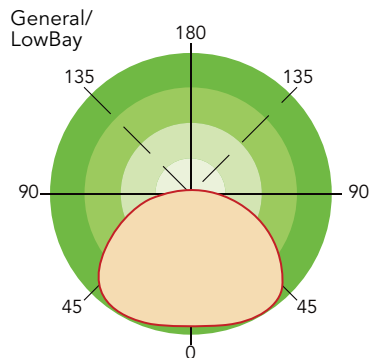
### FEATURES DIAGRAM:



### PERFORMANCE DATA

SYSTEM WATTS	PHOTOMETRY	VOLTAGE	LUMENS 4000K(70CRI)	LPW 4000K(70CRI)	LUMENS 5000K(70CRI)	LPW 5000K(70CRI)
30W	Parking Garage	120-277VAC	4000lm	133lm/W	4000lm	133lm/W
	Low Bay	120-277VAC	3800lm	127lm/W	3800lm	127lm/W
45W	Parking Garage	120-277VAC	5700lm	127lm/W	5700lm	127lm/W
	Low Bay	120-277VAC	5500lm	122lm/W	5500lm	122lm/W
50W	Parking Garage	347VAC	5700lm	114lm/W	5700lm	114lm/W
	Low Bay	347VAC	5500lm	110lm/W	5500lm	110lm/W
60W	Parking Garage	120-277VAC	7500lm	125lm/W	7500lm	125lm/W
	Low Bay	120-277VAC	7600lm	127lm/W	7600lm	127lm/W
65W	Parking Garage	347VAC	7500lm	115lm/W	7500lm	115lm/W
	Low Bay	347VAC	7600lm	117lm/W	7600lm	117lm/W
90W	Parking Garage	120-277VAC	12300lm	137lm/W	12300lm	137lm/W

### PHOTOMETRY



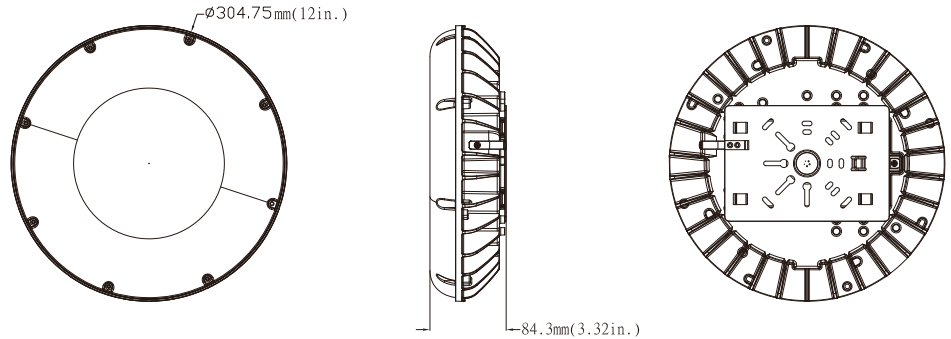
### ELECTRICAL DATA

Number Of Drivers	Driver Current (mA)	Nominal Power (W)	INPUT VOLTAGE (V)	CURRENT (Amps)
1	760	30	120	0.25
		30	208	0.14
		30	240	0.13
		30	277	0.11
1	1110	45	120	0.38
		45	208	0.22
		45	240	0.19
		45	277	0.16
		50	347	0.14
1	1500	60	120	0.50
		60	208	0.29
		60	240	0.25
		60	277	0.22
		65	347	0.19
1	2270	90	120	0.75
		90	208	0.43
		90	240	0.38
		90	277	0.32

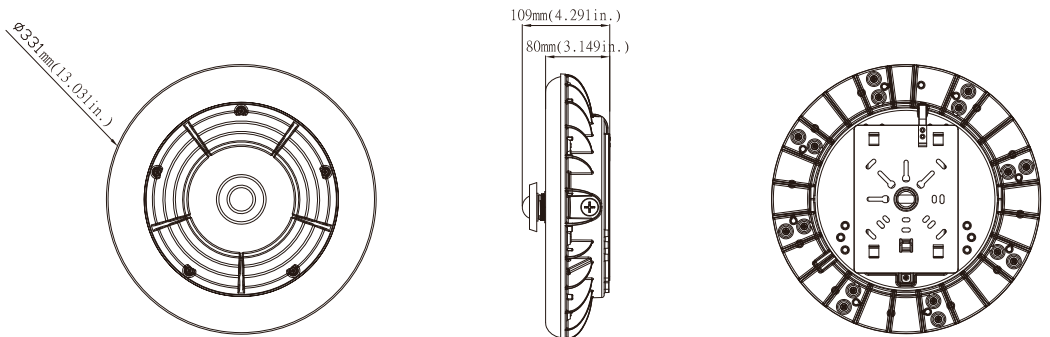
### DIMENSION

unit: mm/inch

Model	Weight
30W	5.29lbs
45W	5.4lbs
60W	5.73lbs



Model	Weight
90W	6.195lbs



### INSTALLATION GUIDE

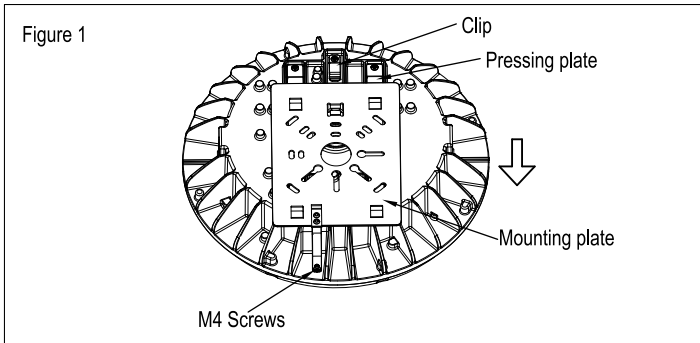
**PLEASE READ ALL INSTRUCTIONS BEFORE ATTEMPTING INSTALLATION** ⚠️

- To prevent personal injury or product damage only licensed electricians should install.
- To avoid electric shock or component damage disconnect power before attempting installation or servicing.
- This product must be installed in accordance with the national electric code (NEC) and all applicable federal, state and local electric codes and safety standards.
- Disconnect product and allow cooling prior to servicing.

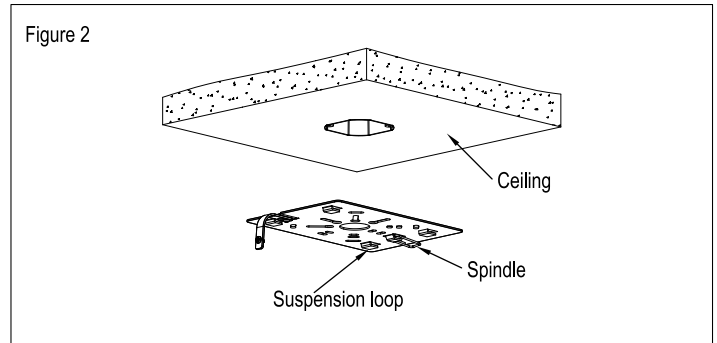
- Any alteration or modification of this product is expressly forbidden as it may cause serious personal injury, death, property damage and/or product malfunction.
- To prevent product malfunction and/or electrical shock this product must be properly grounded.
- This luminaire is designed to operate in ambient temperatures ranging from -40°C to 45°C and to be horizontally mounted with the LEDs facing down.
- This product is not available for several special environments, such as places with corrosive gas liquids or gas stations.

#### 1. Surface Mounted with J-box

1. Loosen and remove the side M4 screws which used to fix the mounting plate.

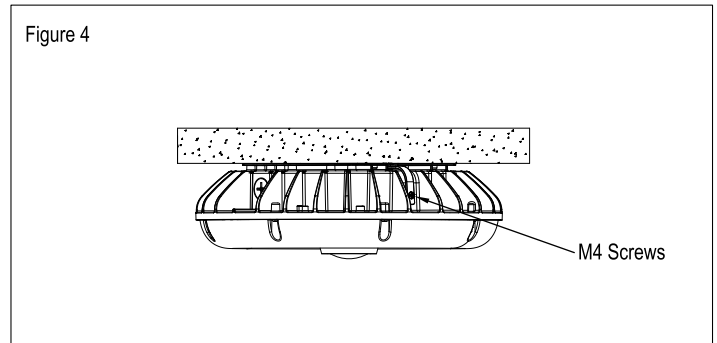
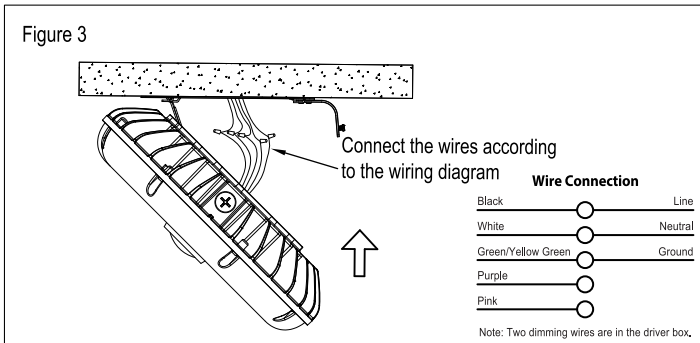


2. Fix the mounting plate to the ceiling with the screws.



3. Connect the clip on the fixture to the spindle of the mounting plate to make sure the fixture will not slip and fall. Connect the line voltage to the wires coming out from the fixture following the wiring diagram. Push the pressing plate into the suspension loop on the mounting plate.

4. Lock the M4 screws to complete the installation.



#### 2. Pendant with 3/4 inch Conduit

1. Connect the line voltage to the wires coming out from the fixture following the wiring diagram.
2. Screw the fixture to the 3/4 inch conduit to complete the installation.

