

SRS-L (SAFERAY-LED) Series Hazardous Location Surface Mount LED Light



Project:	
Type:	
Catalog # :	

FME Lighting | 877 - 234 - 8460 | info@fmelighting.com



SPECIFICATIONS

Mounting

Surface mounts to ceilings via shock absorbing mounting brackets.

Housing

18 gauge cold rolled steel die-formed to shape, seam welded and ground smooth. 304 Stainless steel available.

Door

One piece, die-formed 16 gauge cold rolled steel with 'J-Hook' hinge system. Stainless steel available.

Lens

Optic Plus lens (standard) completely hides diode image while providing greater than 90% light transmission.

Finish

Polyester powder-coated after phosphate pre-treatment for superior adhesion and corrosion resistance. Brushed stainless steel available.

Hardware

Stainless steel Philips head fasteners (standard).

Driver

0-10Vdc, >0.9 PF, <20% THD
Factory programmable, Operating temp -40°C Min. to 50°C Max.

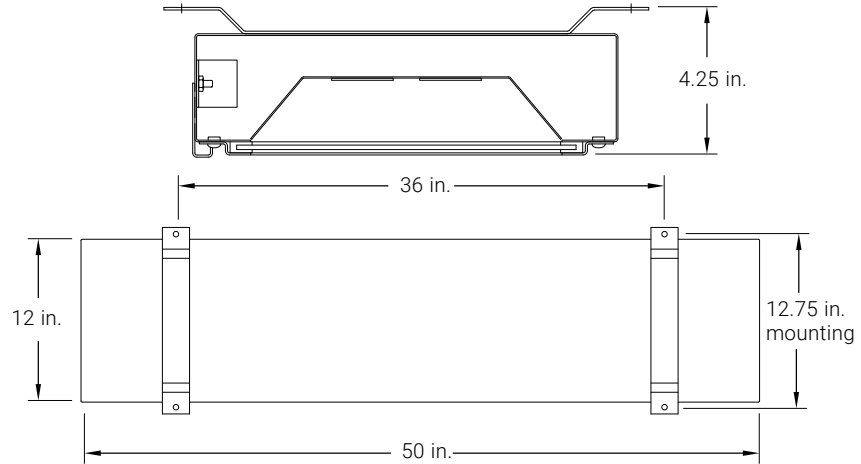
Wiring

Wire entry is provided by a 0.50 in. NPT hazardous location conduit hub.

Certifications

UL 844. IP 65 rated.
Certified for:
Class I Division 2, location groups A, B, C, and D,
Class II Division 2, location groups F and G,
Class III.

DIMENSIONS



ORDERING INFORMATION

ORDERING GUIDE



Series	Luminary Size	LED Designation	Voltage	CCT	Finish	Material	Lens	Accessory
SRS-L	4 = 4 ft. fixture	Refer to the LED Source Table on Page 2 for available options.	V = Variable, 120-277 V, 50/60Hz	S = 3500K I = 4000K C = 5000K	S = Brushed stainless steel W = White (Standard)	CS = Cold rolled steel (Standard) SS = 304 Stainless steel	OP = Optic Plus LED diffusing acrylic, (Standard) DL = .125 in. LED diffusing Lexan PP = .156 in. polycarbonate prism PA = .156 in. acrylic prism PT = .156 in. tempered glass prism	AH = Stainless steel allen head with pin TH = Stainless steel torx head with pin 2W = Two-circuit wired 2C = Two conduit hubs, one on each end EM = Emergency battery backup (Hazardous location) SO* = Specified Output*

* Indicated as SO(xx/xxxx). Specified output, Input watts /delivered lumens to be determined based on specified requirements.



877-234-8460 | info@fmelighting.com

Specifications and dimensions subject to change without notice.

CRI	LED Life
>80	>100,000

LED Source (Box 2)	3500K		4000K		5000K		Input Watts
	Delivered Lumens	L/W	Delivered Lumens	L/W	Delivered Lumens	L/W	
4 ft. Fixture							
1L	6847	125	7049	129	7250	132	54.8
2L	13694	125	14097	129	14500	132	109.6

Delivered lumen output calculated using 122 lens (Highlighted below).

Lens Multiplier - Use the multipliers below to adjust the delivered lumens		
Lens		
122	Optic Plus LED diffusing acrylic, <u>standard</u>	1.00
130	.125 in. LED diffusing Lexan	.95
15	.156 in. polycarbonate prism	.97
55	.156 in. acrylic prism	.98
75	.156 in. tempered glass prism	.97

Specified Output Option

Programmable drivers allows us to deliver a specific lumen output. If none of the options in the chart above fit your application, let us know the desired lumen output and we will do the rest. See the example below on how this will be specified:

Example Model:

SRS-L-**XX**¹-I-CS-W-V-OP-(**XX**²/LUMENS)

LUMENS = You provide the lumens.

XX¹ = We will determine the number of rows.

XX² = We will provide the wattage information.

Photometric Data @ 80 CRI

90 CRI multiplier	.83
-------------------	-----