

SRS (SAFERAY) Series Hazardous Location Surface Mount Fluorescent Light



Project:	
Type:	
Catalog # :	

FME Lighting | 877 - 234 - 8460 | info@fmelighting.com



SPECIFICATIONS

Mounting

Surface mounts to ceilings via shock absorbing mounting brackets.

Housing

18 gauge cold rolled steel die-formed to shape, seam welded and ground smooth. Stainless steel available.

Door

One piece, die-formed 16 gauge cold rolled steel with 'J-Hook' hinge system. Stainless steel available.

Lens

.156 in prismatic acrylic, UV stabilized, polycarbonate or tempered glass with extruded, neoprene gasket.

Finish

Polyester powder-coated after phosphate, pre-treatment for superior adhesion and corrosion resistance. Brushed stainless steel available.

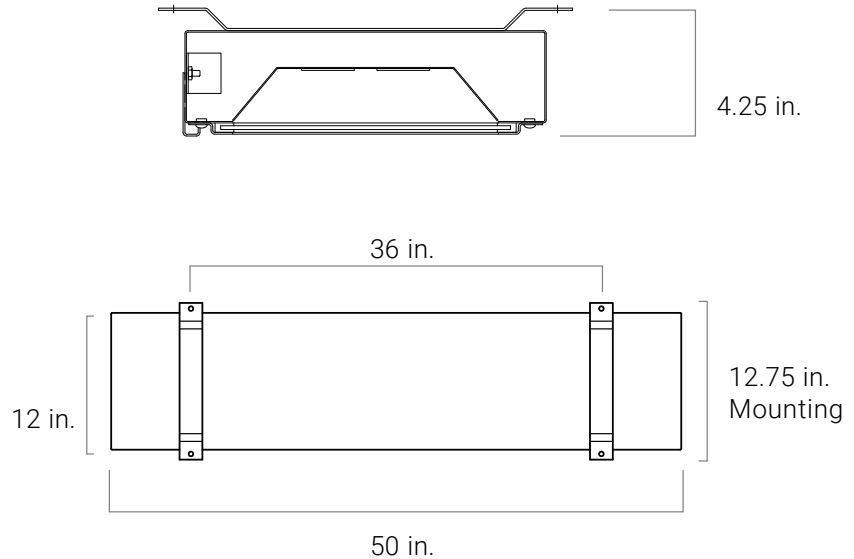
Wiring

Reflector-mounted electrical components for easy wiring and maintenance. Wire entry is provided by a 0.50 in. NPT hazardous location conduit hub.

Certifications

UL 844 Listed. IP54 rated. Class 1 Division 2 certified.

DIMENSIONS



ORDERING INFORMATION

ORDERING GUIDE

Series	Lamps (not included)	Lamp Quantity	Voltage	Finish	Material	Ballast	Lens	Door Fasteners	Accessory
SRS	A = 2 ft. 17 W T8 B = 4 ft. 32 W T8 C = 4 ft. 54 W T5 HO, two lamps only	1 2 3	LV1 = 120 V LV2 = 277 V HV1 = 347 V V = Variable, 120-277 V, 50/60Hz	S = Brushed stainless steel W = White	CS = Cold rolled steel SS = Stainless steel	ES = Electronic Instant Start, std T8 PS = Program Rapid Start, std T5, option T8	PP = .156 in. K12 prismatic polycarbonate PA = .156 in. K12 prismatic acrylic PT = .156 in. C73 prismatic tempered glass	AH = Stainless steel allen head with pin TH = Stainless steel torx head with pin N = Phillips, non- security	CH2 = Two conduit hubs, one each end EB1 = One lamp emergency ballast EB2 = Two lamp emergency ballast NIL = Night light, F8 T5 lamp not included



877-234-8460 | info@fmelighting.com

Specifications and dimensions subject to change without notice.