

Project:	
Type:	
Catalog # :	

FME Lighting | 877 - 234 - 8460 | info@fmelighting.com



FEATURES

- Heavy-duty and high impact resistance
- Four connection cable entry points
- Dimmable and non-dimmable options available.
- Emergency battery backup available with integrated junction box for driver.
- Tempered glass lens standard with opal globe and guard. Options include:
 - Flat Glass Lens
 - Dome Reflector
 - Angle Reflector
- Standard 120-277V, Available options include:
 - 12-26VDC
- Operating Temperature:
 - -20°C - 60°C (-4°F - 140°F)
- **Housing:** A383 Die Cast Aluminum - Copper Free
- **Gasketing:** Fluorosilicone Rubber
- **Hardware:** Stainless Steel 304
- **Finish:** Polyester Powdercoat
- **Lens:** Tempered Glass
- **LED Chips:** Philips
- **Driver:** Meanwell
- **Surge Protection:** 10KV
- **Expected Life:** Over 85,000 hrs.
- **Color Rendering Index (CRI):** 70

CLASSIFICATION

Marking:

- UL1598A Marine Vessels
- UL924 Emergency Lighting

UL844 Marking (North American)

- Class I, Division 2, Groups A, B, C, D
- Class II, Division 1, Groups E, F, G
- Class II, Division 2, Groups F, G
- Class III

ATEX Marking

- II 2G Ex eb mb IIC T6/T5/T4 Gb
- II 2D Ex tb IIIC T80°C /T95°C /T130°C Db IP66

IECEx Marking

- Ex Eb mb IIC T6/T5/T4 Gb
- Ex tb IIIC T80°C /T95°C /T130°C Db IP66

Other Rating:

- NEMA 4X
- IP66
- IK10

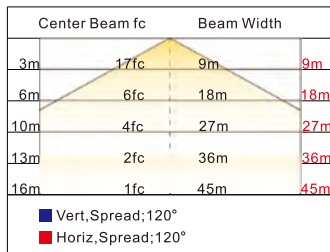
5 Year and 10 Year Warranties Available



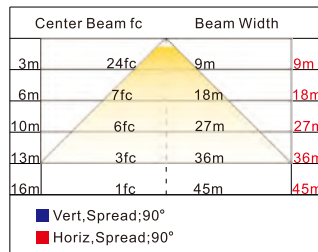
BAA and TAA available. Contact factory for more information and pricing.

PHOTOMETRICS

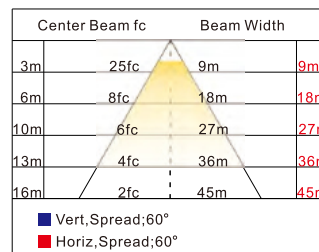
40W/120D



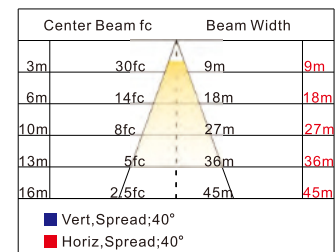
40W/90D



40W/60D



40W/40D



APPLICATIONS

OIL AND GAS

- All petroleum production and refining
- Petroleum loading and transportation
- Petroleum storage and retail
- LNG industry
- All mining operations and service

OCEAN, MARINE, & AEROSPACE

- Ocean platform operation facilities
- Aerospace clean room and production
- Ocean vessel operations

FOOD & ALCOHOL INDUSTRY

- Flour and fine particle production and storage
- Food and distilling production

CHEMICAL INDUSTRY

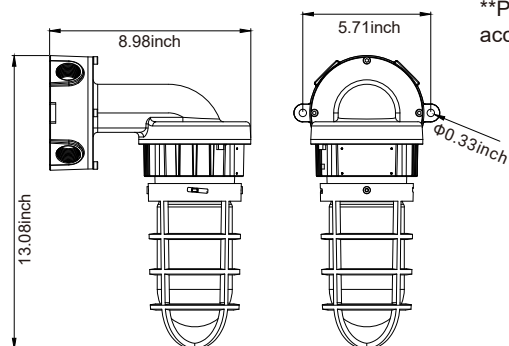
- All types of paint facilities
- Chemical production and storage

METAL TREATMENT

- Steel and aluminum factories
- Pumping stations in any environment
- Metal smelting, foundry and fabrication

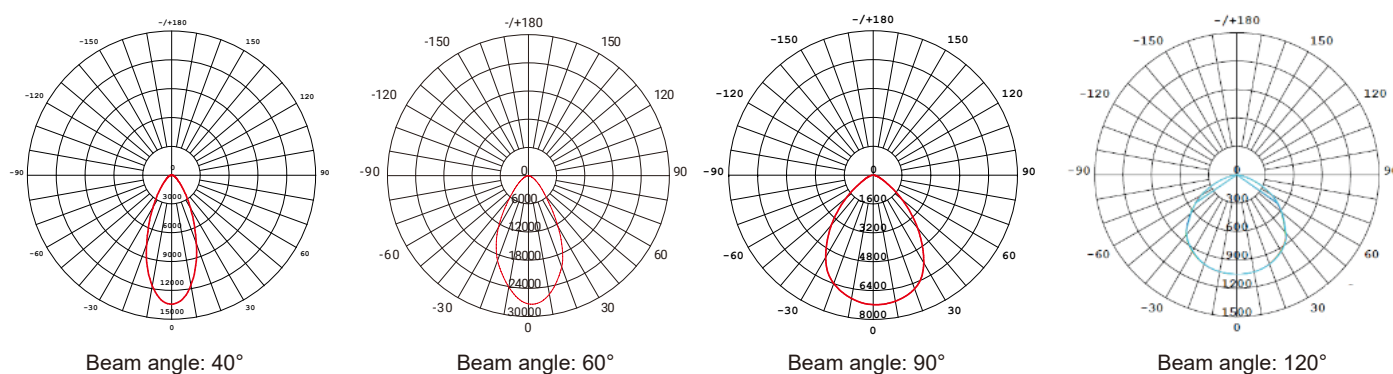
****Other high humidity, high dust, high temperature, vapor locations.**

DIMENSIONS AND PACKING



**Please contact factory for specific weight and dimensions for mounting accessories and fixture configurations.

PHOTOMETRY



TECHNICAL DATA

Model	Wattage	Operating Voltage	Total Lumens (lm)	Efficacy (lm/W)	CRI	CCT
UNI-1-X-X-X-X	10W	AC100-277	1,400	140	>70	2200K-7000K
UNI-2-X-X-X-X	20W	AC100-277	2,800	140	>70	2200K-7000K
UNI-3-X-X-X-X	30W	AC100-277	4,200	140	>70	2200K-7000K

MOUNTING/ACCESSORIES



Ceiling Mount
Shown on fixture



Wall Mount
Shown on fixture



Ceiling/Wall Mount



Ceiling/Wall
(Interior)



Pendant Mount



Wall Elbow



Reflector



Extension



Globe

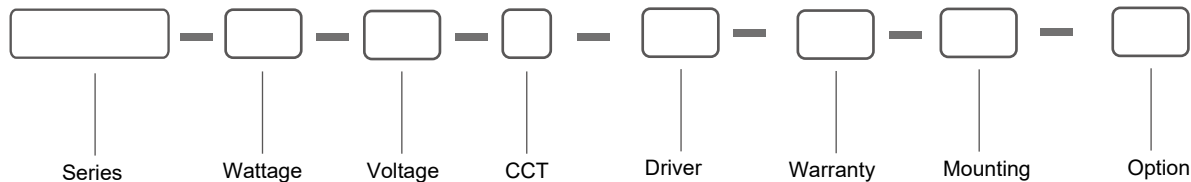


Guard



Heat Sink

Ordering Information



<u>SERIES</u>	<u>WATTAGE</u>	<u>VOLTAGE</u>	<u>COLOR TEMP</u>	<u>DRIVER</u>	<u>WARRANTY</u>
---------------	----------------	----------------	-------------------	---------------	-----------------

FME-UNI	1 = 10W 2 = 20W 3 = 30W	A = AC100-277V	S = 3000K I = 4000K C = 5000K K = 6000K	D = 0-10V Dimming ND = No Dimming	5Y = Five Year 10Y* = Ten Year*
---------	-------------------------------	----------------	--	--------------------------------------	------------------------------------

*Please contact factory for 10 year option.

MOUNTING / ACCESSORIES

- P = Pendant
- OPEB = Junction Box
- OPCM = Ceiling / Surface Mounting
- OPWA = 90° Wall Mount

OPTION

- F = Flat Glass Lens
- CG = Clear Globe
- FG = Frosted Globe
- WG = Wire Guard
- CGG = Clear Globe w/ Wire Guard
- FGG = Frosted Globe w/ Wire
- DREF = Guard Dome Reflector
- AREF = Angle Reflector

- BAA** = Buy American Act Compliant**
- TAA** = Trade Agreements Act Compliant**

**Please contact factory for BAA and TAA options.

*Contact Factory for 12-36VDC