

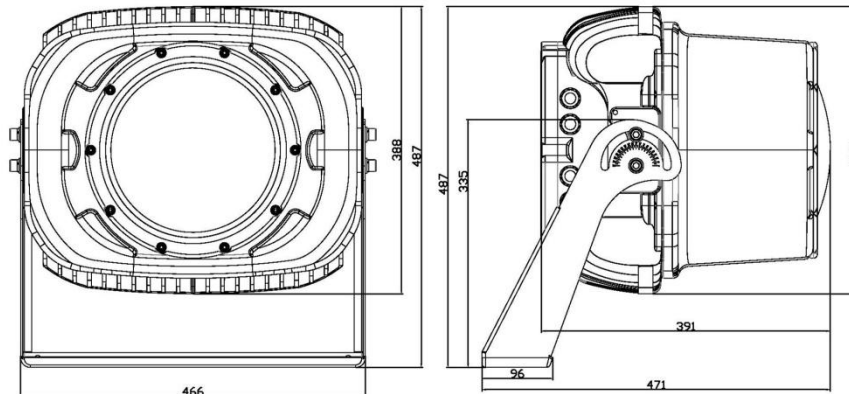


- New powerful LED light released, ultra solution for professional applications
- Updated 400W to 700W compact Genius Model with smaller size and lighter weight
- Flexible and reliable stainless steel mounting system
- Meanwell power supply available inside of the lamp

TYPICAL APPLICATIONS:

Sea Port | Airport | Bridge | Architecture | Industrial Facility | Stadium | High Mast | Plaza | Street

DIMENSION:



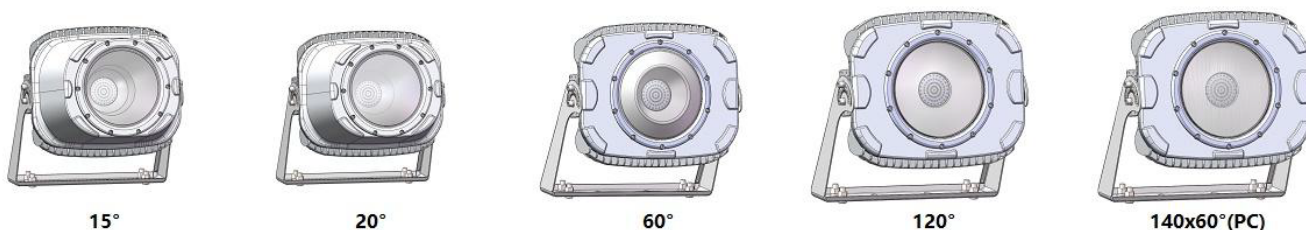
FEATURES:

- 5 year warranty
- 80% lumen maintenance over 50,000hours
- 80-600Vac input voltage without additional adapter
- 0-10Vdc & DALI dimming driver available
- Photocell & motion sensor system available
- Built-in surge protection & thermal protection
- Maintenance free
- Mercury free, No UV or IR
- Instant start & flicker free
- High uniformity & color rendering index

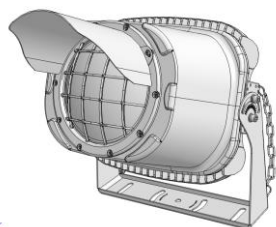
STAINLESS STEEL MOUNTING BRACKET:



OPTIONAL BEAM ANGLE:



OPTIONAL PROTECTION COVER AND VISOR FOR PROFESSIONAL APPLICATIONS:



SPECIFICATIONS:

Model:		AS2-200	AS2-300	AS2-400	AS2-500	AS2-600	AS2-700
Power Consumption	LEDs:	180W	270W	360W	450W	540W	630W
	Driver:	20W	30W	40W	50W	60W	70W
	Total:	200W	300W	400W	500W	600W	700W
Initial Lumen Flux:		24,000lm	36,000lm	48,000lm	60,000lm	72,000lm	84,000lm
Replace HID Lamp:		400-600W	500-800W	800-1000W	1000-1200W	1200-1500W	1500-1800W
Net Weight:		15kg (33lbs)					
Color Temperature:		2700-6500K					
Color Rendering:		≥ Ra75					
Working Life:		≥ 50000Hrs					
Housing:		Aluminum & Powder coating					
IP Class		IP67					
Power Supply		Zihai, Meanwell					
Working Temperature		40F~140F					
AC Input		80~315Vac, (347Vac available on request)					
Power Factor:		≥ 0.98					
Warranty:		5 Years					

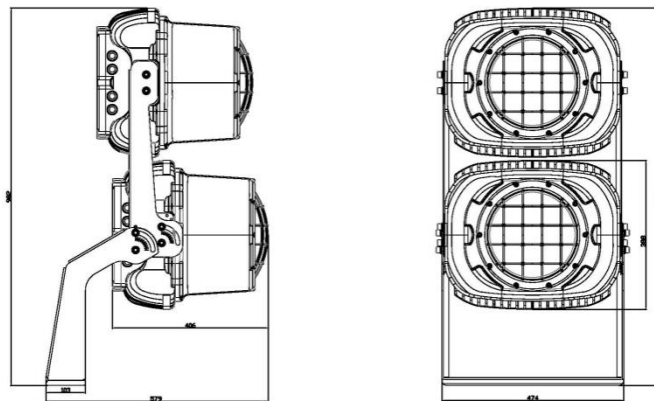


- New powerful LED light released, ultra solution for professional applications
- Updated 800W to 1400W double Genius Model with flexible installation
- Flexible and reliable stainless steel mounting system
- Meanwell power supply available inside of the lamp

TYPICAL APPLICATIONS:

Sea Port | Airport | Bridge | Architecture | Industrial Facility | Stadium | High Mast | Plaza | Street

DIMENSION:



FEATURES:

- 5 year warranty
- 80% lumen maintenance over 50,000hours
- 80-600Vac input voltage without additional adapter
- 0-10Vdc & DALI dimming driver available
- Photocell & motion sensor system available
- Built-in surge protection & thermal protection
- Maintenance free
- Mercury free, No UV or IR
- Instant start & flicker free
- High uniformity & color rendering index

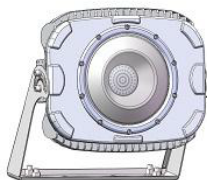
OPTIONAL BEAM ANGLE:



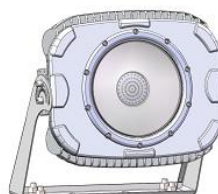
15°



20°



60°

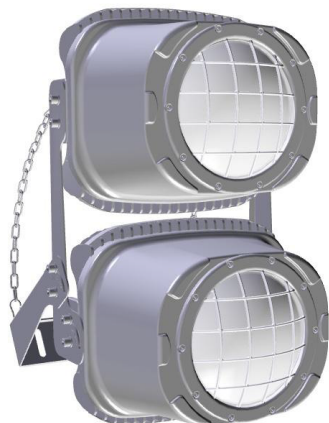


120°



140x60°(PC)

OPTIONAL PROTECTION COVER:



SPECIFICATIONS:

Model:		AS2-800	AS2-1000	AS2-1200	AS2-1400
Power Consumption	LEDs:	720W	900W	1080W	1260W
	Driver:	80W	100W	120W	140W
	Total:	800W	1000W	1200W	1400W
Initial Lumen Flux:		96,000lm	120,000lm	144,000lm	168,000lm
Replace HID Lamp:		1400-1600W	1600-2000W	2000-2500W	2500-4000W
Net Weight:		30kg (66lbs)			
Color Temperature:		2700-6500K			
Color Rendering:		≥ Ra75			
Working Life:		≥50000Hrs			
Housing:		Aluminum & Powder coating			
IP Class		IP67			
Power Supply		Zihai, Meanwell			
Working Temperature		40F~140F			
AC Input		80~315Vac, (347Vac available on request)			
Power Factor:		≥0.98			
Warranty:		5 Years			