

# GLLED Premium LED Garage Luminaire



Project:	
Type:	
Catalog #:	

## STANDARD



The GLLED garage luminaire is a premium-performance solution for illuminating parking garages, storage areas, stairwells, and other applications requiring a low-profile luminaire that can be surface- or pendant-mounted. With a die cast aluminum housing and a polycarbonate lens, the GLLED will stand up to many years of punishing environmental conditions. High-efficacy, long-life LEDs provide both energy and maintenance cost savings compared to traditional garage lights with HID, fluorescent or incandescent lamps.

## FEATURES

- Available in 4000k (neutral white) and 5000k (cool white) color temperatures.\*
- Long-life LEDs provide at least 171,000 hours of operation with at least 70% of initial lumen output (L<sub>70</sub>).\*\*
- Provides a range of 3,137 to 12,708 lumens.\*
- Universal 120-277 AC voltage (50-60Hz) is standard.
- 0-10vdc dimming drivers are standard (except model GLLED-3).<sup>1</sup>
- Mounting options include surface-mounting and pendant-mounting using electrical conduit.
- Optional, integral Merrytek microwave occupancy/daylight sensor is installed inside the luminaire housing, and provides both on/off and dimming functions.<sup>1</sup> To order, add the suffix "ODS" to your luminaire catalog number (see example below).
- Power factor > 0.90.
- Total harmonic distortion < 20%.
- Color rendering index > 80.
- Die cast aluminum housing, painted white or dark bronze.
- Easy installation in new construction or retrofit.

\* Contact factory for other color temperatures and lumen packages.  
 \*\* L<sub>70</sub> hours are IES TM-21-11 calculated hours.



Model CPLED-3,  
GLLED-5 & GLLED-7

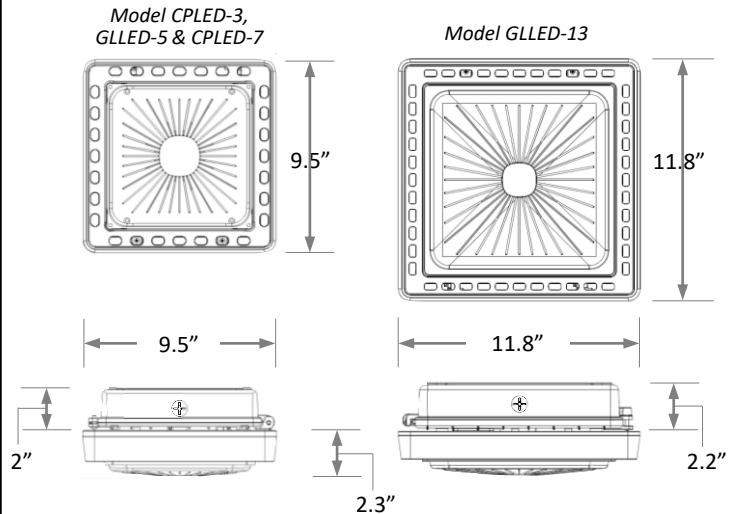


Model GLLED-13

## WARRANTY & LISTINGS

- cULus listed for wet locations in ambient temperatures from -20°C to 55°C (-4°F to 131°F).
- IP65 rated for ingress protection.
- DLC premium approved (primary use category: Parking Garage Luminaires).
- Complies with FCC Part 15, class B.
- Standard models comply with EN61000-4-5, surge immunity protection (GLLED-3 at 2kV; all other models at 4kV). Optional 10kV surge protector available (see below for ordering information).
- 5-year warranty on all electronics and housing.

## DIMENSIONS



Weight: 4.4 lbs. (GLLED-3, -5 & -7) / 7.7 lbs. (GLLED-13)

## ORDERING INFORMATION

Example: **GLLED-3-4K-WHT-UNV-ODS-SP10**

Premium-performance garage luminaire, 3k nominal lumens, 4000k, white housing, 120-277V, Merrytek MC605V D Sensor, 10kV surge protector

Model	Luminaire Lumens	Luminaire Watts	Lumens Per Watt	Color Temperature	Housing Color	Input Voltage	Options
GLLED-3-4K	3,137	24	131	4K = 4000k	WHT = White	UNV = 120-277V	ODS = Merrytek MC605V D Occupancy & Daylight Sensor (Factory Installed) <sup>1</sup>
GLLED-3-5K	3,149	24	131	5K = 5000k	BRZ = Bronze		
GLLED-5-4K	4,943	40	124	4K = 4000k			SP10 = TDC model SPD277-10K.1 10kV surge protector
GLLED-5-5K	5,024	40	126	5K = 5000k			
GLLED-7-4K	7,002	56	125	4K = 4000k			
GLLED-7-5K	7,077	56	126	5K = 5000k			
GLLED-13-4K	12,516	102	123	4K = 4000k			
GLLED-13-5K	12,708	102	125	5K = 5000k			

<sup>1</sup> Note: Model GLLED-3 is not equipped with a dimmable driver, so it provides only on/off switching.

# GLLED Premium LED Garage Luminaire



## ELECTRICAL

Model	Color Temp.	CRI <sup>1</sup>	Luminaire Lumens	Luminaire Watts	Lumens Per Watt	Input Voltage <sup>2</sup>	Input Current (A)			Power Factor	THD <sup>3</sup>	L <sub>70</sub> Hours <sup>4</sup>
							120V	240V	277V			
GLLED-3-4K-###-UNV	4K = 4000k	> 80	3,137	24	131	120-277	0.20	0.10	0.09	> 90%	< 20%	174,000
GLLED-3-5K-###-UNV	5K = 5000k	> 80	3,149	24	131	120-277	0.20	0.10	0.09	> 90%	< 20%	174,000
GLLED-5-4K-###-UNV	4K = 4000k	> 80	4,943	40	124	120-277	0.33	0.17	0.14	> 90%	< 20%	174,000
GLLED-5-5K-###-UNV	5K = 5000k	> 80	5,024	40	126	120-277	0.33	0.17	0.14	> 90%	< 20%	174,000
GLLED-7-4K-###-UNV	4K = 4000k	> 80	7,002	56	125	120-277	0.47	0.23	0.20	> 90%	< 20%	174,000
CPLD-7-5K-###-UNV	5K = 5000k	> 80	7,077	56	126	120-277	0.47	0.23	0.20	> 90%	< 20%	174,000
GLLED-13-4K-###-UNV	4K = 4000k	> 80	12,516	102	123	120-277	0.85	0.43	0.37	> 90%	< 20%	171,000
GLLED-13-5K-###-UNV	5K = 5000k	> 80	12,708	102	125	120-277	0.85	0.43	0.37	> 90%	< 20%	171,000

<sup>1</sup> Color rendering index.

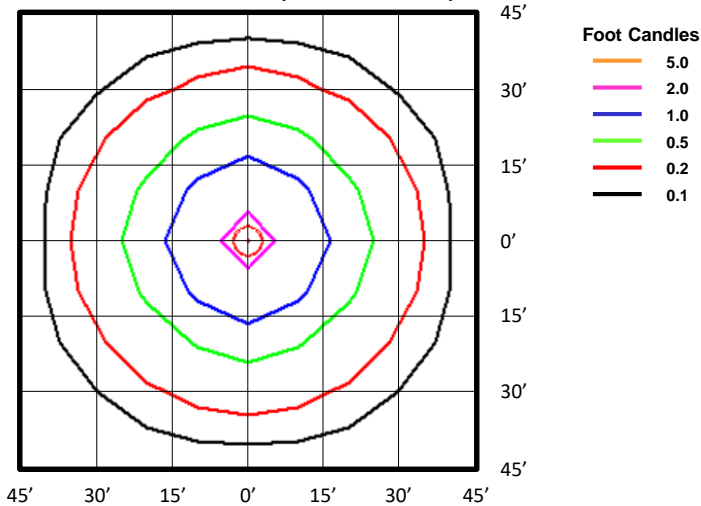
<sup>2</sup> All 50-60Hz.

<sup>3</sup> Total harmonic distortion.

<sup>4</sup> L<sub>70</sub> refers to the number of hours at which lumen output declines to 70% of the initial level. L<sub>70</sub> hours are IES TM-21-11 calculated hours.

## PHOTOMETRIC DATA

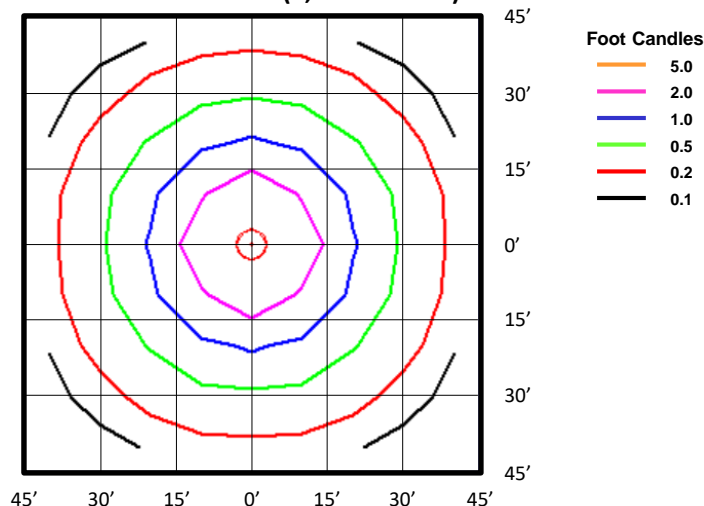
GLLED-3-4K-###-UNV (3,137 Lumens)



### BUG Rating: B2-U2-G1

Zone	Lumens	%
FL - Front - Low (0-30)	236	8%
FM - Front - Medium (30-60)	773	25%
FH - Front - High (60-80)	509	16%
FVH - Front - Very High (80-90)	40	1%
<b>Total Forward Light</b>	<b>1,558</b>	<b>50%</b>
BL - Back - Low (0-30)	235	7%
BM - Back - Medium (30-60)	772	25%
BH - Back - High (60-80)	505	16%
BVH - Back - Very High (80-90)	40	1%
<b>Total Back Light</b>	<b>1,552</b>	<b>49%</b>
UL - Up Light - Low (90-100)	14	0%
UH - Up Light - High (100-180)	14	0%
<b>Total Up Light</b>	<b>28</b>	<b>1%</b>
<b>Total Lumens</b>	<b>3,137</b>	<b>100%</b>

GLLED-5-4K-###-UNV (4,943 Lumens)



### BUG Rating: B2-U2-G1

Zone	Lumens	%
FL - Front - Low (0-30)	373	8%
FM - Front - Medium (30-60)	1,251	25%
FH - Front - High (60-80)	773	16%
FVH - Front - Very High (80-90)	61	1%
<b>Total Forward Light</b>	<b>2,459</b>	<b>50%</b>
BL - Back - Low (0-30)	372	8%
BM - Back - Medium (30-60)	1,242	25%
BH - Back - High (60-80)	766	16%
BVH - Back - Very High (80-90)	61	1%
<b>Total Back Light</b>	<b>2,441</b>	<b>49%</b>
UL - Up Light - Low (90-100)	24	0%
UH - Up Light - High (100-180)	20	0%
<b>Total Up Light</b>	<b>43</b>	<b>1%</b>
<b>Total Lumens</b>	<b>4,943</b>	<b>100%</b>

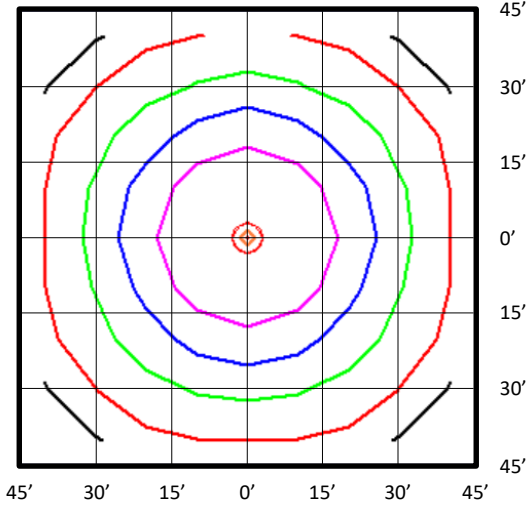
Notes: (1) Isofootcandle plots depict initial footcandles at grade. (2) Gridlines represent units of mounting height of 15 feet.

# GLLED Premium LED Garage Luminaire



## PHOTOMETRIC DATA

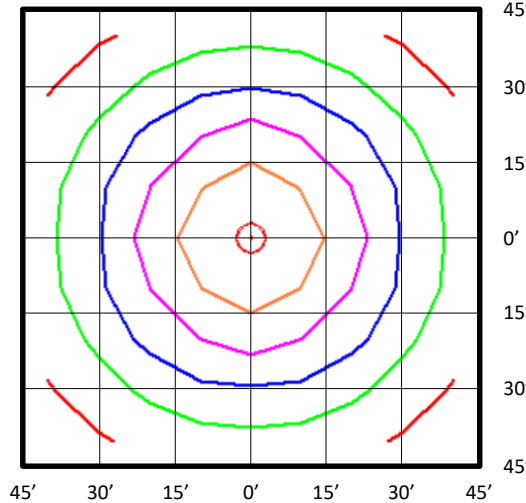
**GLLED-7-4K-###-UNV (7,002 Lumens)**



**BUG Rating: B3-U2-G1**

Zone	Lumens	%
FL - Front - Low (0-30)	528	8%
FM - Front - Medium (30-60)	1,772	25%
FH - Front - High (60-80)	1,079	15%
FVH - Front - Very High (80-90)	82	1%
<b>Total Forward Light</b>	<b>3,461</b>	<b>49%</b>
BL - Back - Low (0-30)	520	7%
BM - Back - Medium (30-60)	1,752	25%
BH - Back - High (60-80)	1,124	16%
BVH - Back - Very High (80-90)	90	1%
<b>Total Back Light</b>	<b>3,485</b>	<b>50%</b>
UL - Up Light - Low (90-100)	31	0%
UH - Up Light - High (100-180)	24	0%
<b>Total Up Light</b>	<b>55</b>	<b>1%</b>
<b>Total Lumens</b>	<b>7,002</b>	<b>100%</b>

**GLLED-13-4K-###-UNV (12,516 Lumens)**



**BUG Rating: B3-U3-G2**

Zone	Lumens	%
FL - Front - Low (0-30)	1,073	9%
FM - Front - Medium (30-60)	3,115	25%
FH - Front - High (60-80)	1,871	15%
FVH - Front - Very High (80-90)	183	1%
<b>Total Forward Light</b>	<b>6,241</b>	<b>50%</b>
BL - Back - Low (0-30)	1,066	9%
BM - Back - Medium (30-60)	3,087	25%
BH - Back - High (60-80)	1,847	15%
BVH - Back - Very High (80-90)	182	1%
<b>Total Back Light</b>	<b>6,182</b>	<b>49%</b>
UL - Up Light - Low (90-100)	56	0%
UH - Up Light - High (100-180)	37	0%
<b>Total Up Light</b>	<b>93</b>	<b>1%</b>
<b>Total Lumens</b>	<b>12,516</b>	<b>100%</b>

**Notes:** (1) Isofootcandle plots depict initial footcandles at grade. (2) Gridlines represent units of mounting height of 15 feet.